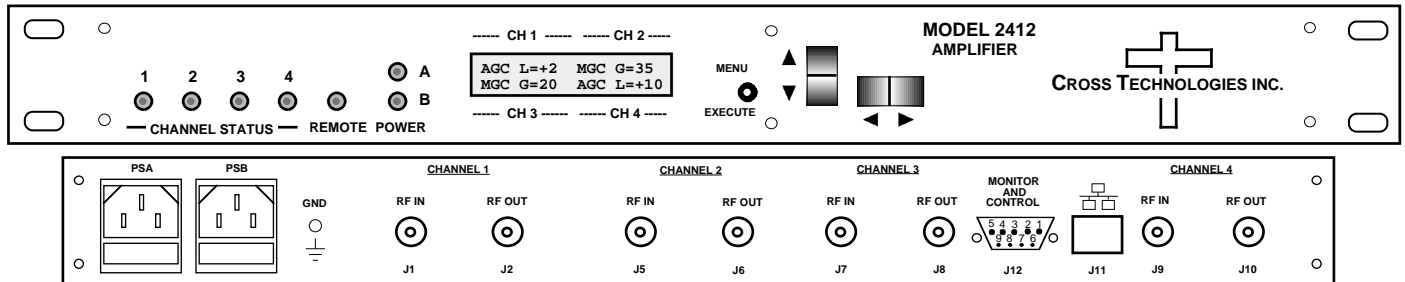


2412-408 IF AGC Amplifier, Four Channel

2412-308 Three Channel 2412-208 Two Channel 2412-108 One Channel

The 2412-408 IF AGC Amplifier has four individual channels, each one provides automatic gain control (AGC) or manual gain control (MGC) for a 50-200 MHz IF signal. It takes a -35 to 0 dBm input signal and automatically adjusts the gain for a 0 to +10 dBm (± 1 dB) output which can be adjusted using the front panel multi-function switches. Front panel LEDs provide indication of DC power, PLL alarm or Remote operation. Each channel has a band limiting lowpass filter. Each channel gain can also be adjustable manually (MGC) over a 0 to +45 dB range using the front panel multi-function switches. AGC/MGC, output level (in AGC) and gain (in MGC) of each channel are remotely selectable. Parameter selection and output level (in AGC) and gain (in MGC) settings appear on the LCD display. Connectors are BNC female for the IF input and output signals. The table below shows other options. The 2412-408 is powered by a 100-240 $\pm 10\%$ VAC, 47-63 Hz power supply, and is contained in a 1 3/4" X 19" X 16" rack mount chassis.



Front and Rear Panels (2412-408 Four Channel shown)

EQUIPMENT SPECIFICATIONS*

Input Characteristics

Impedance	50 Ω or 75 Ω
Return Loss	14 dB
Frequency	50 to 200 MHz
Noise Figure, Max.	15 dB max gain
Input Level range	-35 to 0 dBm

Output Characteristics

Impedance	50 Ω or 75 Ω
Return Loss	14 dB
Output Level range	0 to +10 dBm
Output 1 dB compression	+15 dBm

Channel Characteristics

Gain range (adjustable)	0.0 to +45 dB (AGC)
Frequency Response	± 1.0 dB, 50 to 200 MHz ; ± 0.5 dB, ± 20 MHz BW
Group Delay, max	± 2 ns, 50 to 200 MHz

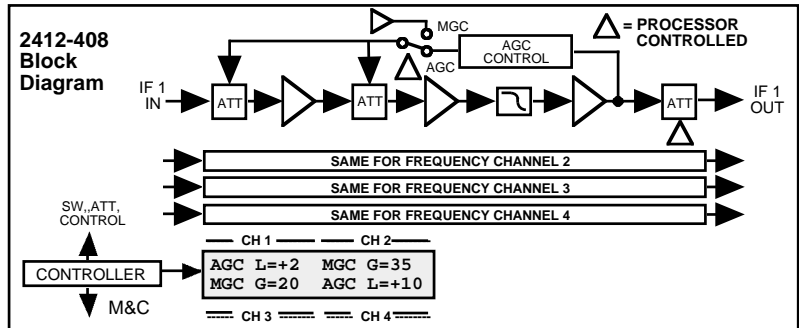
Controls, Indicators

AGC/MGC Switch	Direct readout LCD; manual or remote selection
Level Adjust	Direct readout LCD; manual or remote selection; adjusts output level in AGC mode
MGC Adjust	Direct readout LCD; manual or remote selection; adjusts manual gain in MGC mode

Power; Alarm; Remote	Green LED; Red LED; Yellow LED
Remote	RS232C/RS485 selectable, (Ethernet, option W8, W18, or W28)

Other

IF Connectors	50 Ω BNC (female), Works for 50 Ω or 75 Ω
Alarm/Remote Connector	DB9 (female) - NO or NC contact closure on Alarm
Size	19 inch, 1RU standard chassis 1.75" high X 16.0" deep
Power	100-240 $\pm 10\%$ VAC, 47-63 Hz, 45 watts max



3, 2, 1 Channel Model Numbers

2412-308 - 3 CHANNELS
2412-208 - 2 CHANNELS
2412-108 - 1 CHANNEL

Available Options

R- Redundant Power Supply
W8 - Ethernet; w/Web Browser (WB)
W18 - Ethernet; w/WB & SNMP
W28 - Ethernet; w/TCP/IP, Telnet

10°C to 40°C; Specifications subject to change without notice

