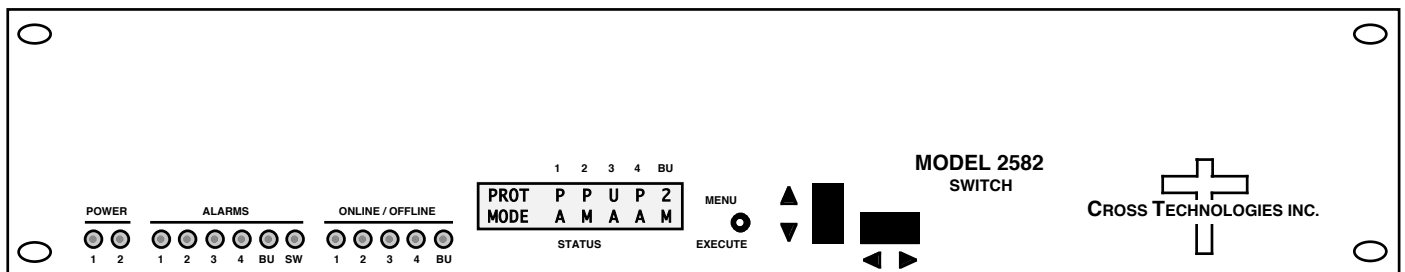


2582-324 Backup Switch, 1 for 2

The 2582-324 1 for 2 Switch with Backup Controller provides Auto or Manual backup protection for up to 2 converters by relay switching two IF and one RF signal from a backup unit to any of 2 on-line units. The controller in the 2582-324 monitors alarms and settings of the on-line units and sets the backup unit to the parameters of the unit being backed up prior to backing it up. The 2582-324 works with standard Cross up and downconverters by polling their monitor and control ports on a periodic basis. A defective unit's inputs and outputs are switched from the failed unit to the backup when a failure occurs either automatically or manually. "On-line", "off-line" and "not used" modes can be programmed for each on-line converter. Alarms are contact closures to ground. Status of the 2582-324 is via a serial data stream and a contact closure to ground on alarm.

All settings are stored in nonvolatile ROM and on power up the 2582-324 polls all units. Manual Select is controlled by the multi-function switches on the front panel. LEDs indicate alarm and switch conditions. The unit is powered by two 100-240 ± 10% VAC redundant power supplies, and housed in a 2RU chassis



Front Panel

EQUIPMENT SPECIFICATIONS*

IF/L-Band Switch Characteristics

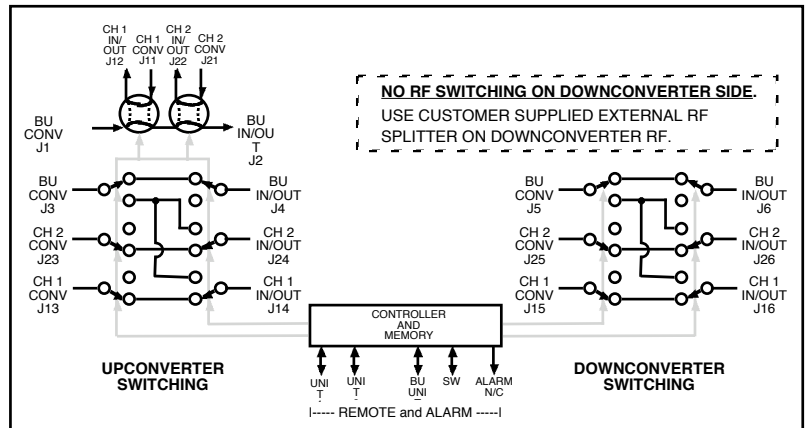
Impedance	50 Ω
Return Loss	> 12 dB
Type	Relay
Isolation	> 55 dB, DC to 1.5 GHz
	> 50 dB, to 2.2 GHz;
Switch time	≤ 100 milliseconds
Insertion Loss	≤ 1.5 dB, to 1.5 GHz;
	≤ 2.0 dB, to 2.2 GHz
Configuration	1 for 2, no termination

RF Switch Characteristics

Impedance	50 Ω
Return Loss	> 12 dB
Type	Relay
Isolation	> 60 dB, to 15 GHz
Switch time	≤ 100 milliseconds
Insertion Loss	≤ 1.5 dB, to 8 GHz;
	≤ 2.0 dB, to 15 GHz
Configuration	1 for 2, no termination

Controls, Indicators

Manual Selection	Push-button switches
Remote Selection	RS 232C (RS 422/485, option Q)
Power	Green LEDs
Alarms	Red LEDs
Online/Offline	Green LEDs



Block Diagram

Other

RF Connectors	SMA (female)
IF/L-Band Connectors	BNC (female)
Alarm/Remote Conn's	DB9 (female)
Size	19 inch, 2 RU standard chassis X 16.0" D
Power	100-240 VAC, Redundant power supplies

*+10°C to +40°C; Specifications subject to change without notice

