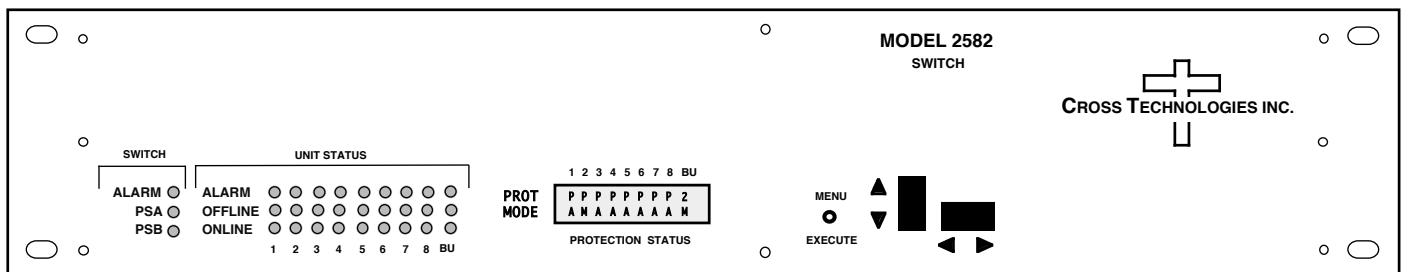


## 2582-282 Backup Switch, 1 for 8

The 2582-282 1 for 8 Switch with Backup Controller provides Auto or Manual backup protection for up to 8 converters by relay switching IF and RF signals from one backup unit to any of 8 on-line units. The controller in the 2582-282 monitors alarms and settings of the on-line units and sets the backup unit to the parameters of the unit being backed up prior to backing it up. The 2582-282 works with standard Cross Up or Downconverters by polling their monitor and control ports on a periodic basis. A defective unit's inputs and outputs are switched from the failed unit to the backup when a failure occurs either automatically or manually. "On-line", "Off-line" and "not used" modes can be programmed for each converter. Alarms are contact closures to ground. Status of the 2582-282 is reported via a serial data stream (Ethernet, Optional) and a contact closure to ground on alarm.

All user settings of the switch are stored in nonvolatile ROM and on power up the 2582-282 polls all units. Manual Select is controlled by the multi-function switches on the front panel. LEDs indicate alarm and switch conditions. The unit is powered by two 100-240 ±10% VAC redundant power supplies, and housed in a 2RU chassis.



Front Panel

### EQUIPMENT SPECIFICATIONS\*

#### IF/L-Band Switch Characteristics

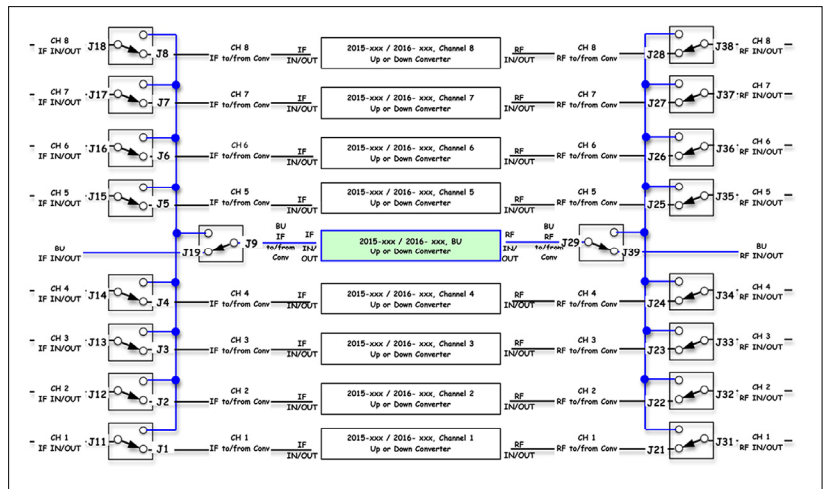
Impedance/Return Loss 50 Ω / > 12 dB Return Loss  
 Type Relay  
 Isolation > 55 dB, DC to 1.5 GHz  
 > 50 dB, to 2.2 GHz;  
 Switch time ≤ 100 milliseconds  
 Insertion Loss ≤ 1.5 dB, to 1.5 GHz;  
 ≤ 2.0 dB, to 2.2 GHz  
 Configuration 1 for 8, no termination

#### RF-Band Switch Characteristics

Impedance/Return Loss 50 Ω / > 12 dB Return Loss  
 Type Relay  
 Isolation > 55 dB, DC to 1.5 GHz  
 > 50 dB, to 2.2 GHz;  
 Switch time ≤ 100 milliseconds  
 Insertion Loss ≤ 1.5 dB, to 1.5 GHz;  
 ≤ 2.0 dB, to 2.2 GHz  
 Configuration 1 for 8, no termination

#### Controls, Indicators

Manual Selection Push-button switches  
 Remote Selection RS 232C (Optional RS 422/485  
 Option Q; Ethernet Option W8)  
 Power Green LEDs  
 Alarms Red LEDs  
 Online/Offline Green LEDs / Yellow LEDs



Block Diagram

#### Other

RF Connectors SMA (female)  
 IF/L-Band Connectors BNC (female)  
 Alarm/Remote Conn's DB9 (female)  
 Size 19 inch, 2RU Standard Chassis X 16.0" D  
 Power 100-240 VAC, Redundant power supplies

\*+10°C to +40°C; Specifications subject to change without notice

