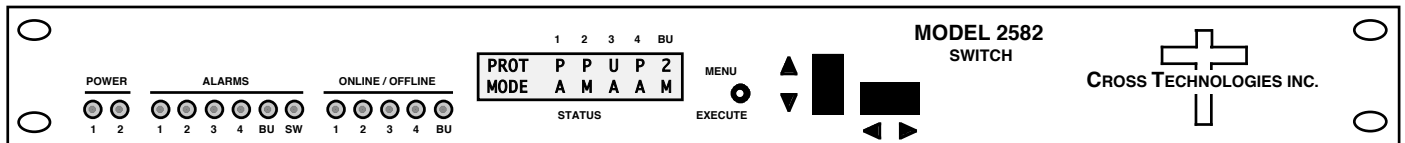


2582-144 Switch with Backup Controller, 1 for 4

The 2582-144 is a 1 for 4 Switch with Backup Controller for downloading and storing user variable data settings from the active, on-line agile, IF/L-Band to RF frequency converters and controlling the back-up frequency converter. The 2582-144 provides Auto, Remote, or Manual backup protection for up to 4 agile frequency converters by using a combination of IF/L-Band relay switches and RF transfer switches for the IF/L-Band and RF signals. The 2582-144 works with standard Cross IF/L-Band to RF up and downconverters by polling their monitor and control ports on a periodic basis, and storing the variable data of each active online converter. In the event of a failure, the failed converter's current data is downloaded into the backup converter and then the inputs and outputs are switched from the failed converter to the backup converter either automatically (when an alarm is detected from the failed unit), remotely, or manually. Manual switching overrides Remote and Auto switching, while Remote switching overrides Auto switching. Manual selection is made by the front panel multifunction, push-button switches. Remote selection is made via a rear panel female DB9 connector. The 2582-144 is powered by redundant **100-240 ±10% VAC** power supplies and is housed in a 1.75" X 19" X 16" 1RU rack mount chassis.



Front Panel

EQUIPMENT SPECIFICATIONS*

IF/L-Band Switch Characteristics

Impedance	50 Ω
Return Loss	> 12 dB
Type	Relay
Isolation	> 55 dB, DC to 1.5 GHz; > 50 dB, to 2.2 GHz;
Switch time	≤ 100 milliseconds
Insertion Loss	≤ 1.5 dB, to 1.5 GHz; ≤ 2.0 dB, to 2.2 GHz
Configuration	1 for 4, no termination

RF Switch Characteristics

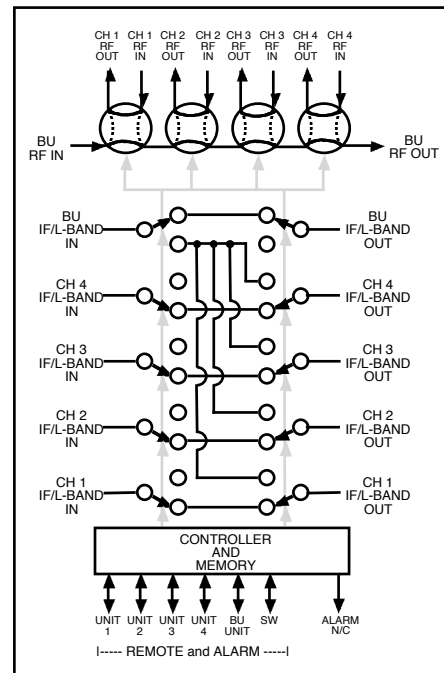
Impedance	50 Ω
Return Loss	> 12 dB
Type	RF Transfer
Isolation	> 60 dB, to 15 GHz
Switch time	≤ 100 milliseconds
Insertion Loss	≤ 1.5 dB, to 8 GHz; ≤ 2.0 dB, to 15 GHz
Configuration	1 for 4, no termination

Controls, Indicators

Manual Selection	Push-button switches
Remote Selection	RS 232C (RS 422/485, option Q), 9600 baud
Power	Green LEDs
Alarms	Red LEDs
Online/Off-line	Green LEDs

Other

RF Connectors	SMA (female)
L-Band Connectors	BNC (female)
Alarm/Remote Conn's	DB9 (female)
Size	19 inch, 1RU standard chassis 1.75" high X 16.0" deep
Power	100-240 ±10% VAC , 47-63 Hz, 45 watts max.; Redundant power supplies



Block Diagram

*+10°C to +40°C; Specifications subject to change without notice

