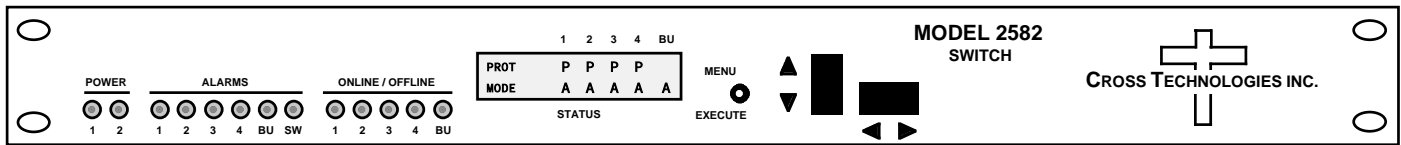


## 2582-143 Backup Switch, 1 for 4

The 2582-143 1 for 4 Switch provides Auto, Remote, or Manual backup protection for up to 4 block converters by using a combination of IF/L-Band relay switches and RF transfer switches for signals from a backup unit to any of the 4 online units. The 2582-143 works with standard Cross block up and downconverters by polling their monitor and control ports on a periodic basis. A defective unit's inputs and outputs are switched from the failed unit to the backup unit either automatically (when an alarm is detected from the failed unit), remotely or manually. Manual switching overrides Remote and Auto switching, while Remote switching overrides Auto switching. Manual selection is made by the front panel multifunction, push-button switches. Remote selection is made via a rear panel female DB9 connector. The 2582-143 is powered by redundant **100-240 ±10% VAC** power supplies and is housed in a 1.75" X 19" X 16" 1RU rack mount chassis.



**Front Panel**

### EQUIPMENT SPECIFICATIONS\*

#### IF/L-Band Switch Characteristics

Impedance	50 Ω
Return Loss	> 12 dB
Type	Relay
Isolation	> 55 dB, DC to 1.5 GHz; > 50 dB, to 2.2 GHz;
Switch time	≤ 100 milliseconds
Insertion Loss	≤ 1.5 dB, to 1.5 GHz; ≤ 2.0 dB, to 2.2 GHz
Configuration	1 for 4, no termination

#### RF Switch Characteristics

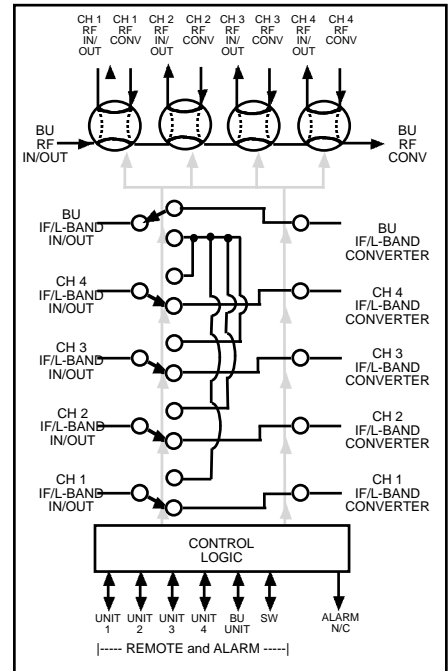
Impedance	50 Ω
Return Loss	> 12 dB
Type	RF Transfer
Isolation	> 60 dB, to 15 GHz
Switch time	≤ 100 milliseconds
Insertion Loss	≤ 1.5 dB, to 8 GHz; ≤ 2.0 dB, to 15 GHz
Configuration	1 for 4, no termination

#### Controls, Indicators

Manual Selection	Push-button switches
Remote Selection	RS 232C (RS 422/485, <b>option Q</b> ), 9600 baud
Power	Green LEDs
Alarms	Red LEDs
Online/Off-line	Green LEDs

#### Other

RF Connectors	SMA (female)
L-Band Connectors	BNC (female)
Alarm/Remote Conn's	DB9 (female)
Size	19 inch, 1RU standard chassis 1.75" high X 16.0" deep
Power	<b>100-240 ±10% VAC</b> , 47-63 Hz, 45 watts max.; Redundant power supplies



**Block Diagram**

\*+10°C to +40°C; Specifications subject to change without notice

