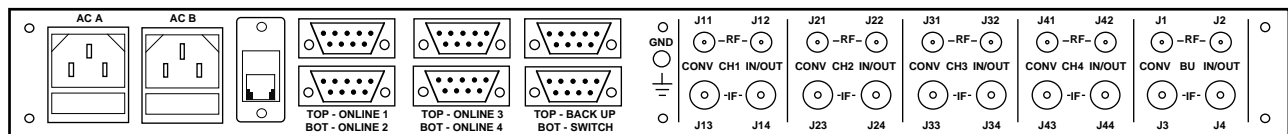
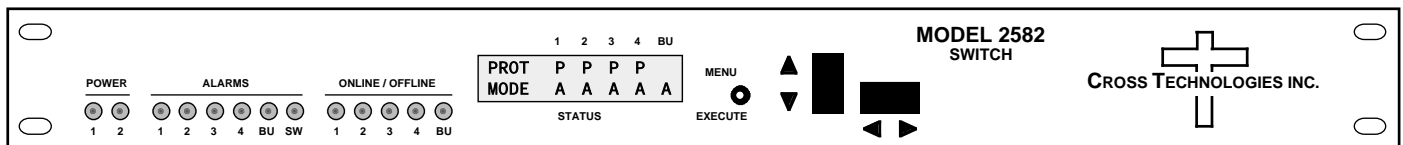


2582-142 Backup Protection Switch, 1 for 4

The 2582-142 provides Auto or Manual backup protection for up to 4 up or down converters by relay switching of IF and RF from a backup unit to any of 4 on-line units. The controller in the 2582-142 monitors alarms and settings of the on-line units and sets the backup unit to the parameters of the unit being backed up prior to backing it up. The 2582-142 works with standard Cross L-band up and downconverters by polling their monitor and control ports on a periodic basis. Remote M&C polling of units can be done at anytime. A defective unit's inputs and outputs are switched from the failed unit to the backup when a failure occurs either automatically, manually or remotely. Individual priority levels and "on-line", "off-line" and "not used" modes can be programmed for each on-line converter. Alarms are contact closures to ground. Status of the 2582-142 is via a serial data stream and a contact closure to ground on alarm.

All settings are stored in nonvolatile ROM and on power up the 2582-142 polls all units. Manual Select is controlled by the multi-function switches on the front panel. LEDs indicate alarm and switch conditions. The unit is powered by redundant power supplies, and mounted in a 1RU rack-mount chassis.



Front and Rear Panels (Rear Panel Show Above With Ethernet Connection, Option W28)

EQUIPMENT SPECIFICATIONS*

Switch Characteristics	RF (900-2200 MHz)	IF (DC - 200 MHz)
Impedance	75Ω	75Ω
Return Loss	≥12 dB	≥18 dB
Isolation	> 45 dB	> 55 dB
Insertion Loss	≤2.0 dB	≤1.5 dB
Switch time	≤100 milliseconds	≤100 milliseconds
Type	Relay	Relay
Configuration	1 for 4, no termination (termination optional)	

Controls and Indicators

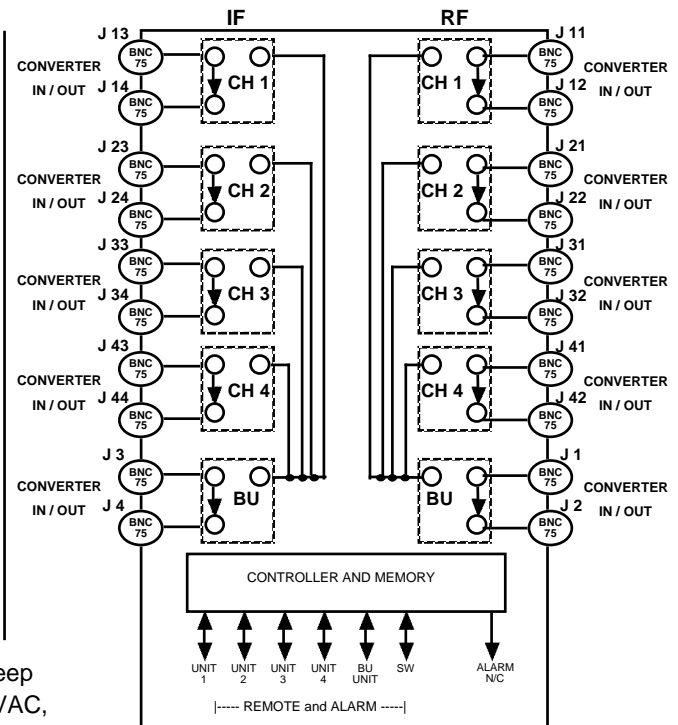
Manual Select Manually select CH1 - CH2 - CH3 - CH4

Remote Selection **RS 232C, 9600 baud**
(RS 422/485, Option Q,
Ethernet, Option W8/W28)

ALARM Red LEDs
ON-LINE, OFF-LINE Green, Red LEDs

Other

Alm/Remote Connectors DB9 (female)
RF Connectors BNC (female), 75Ω
IF Connectors BNC (female), 75Ω
Mechanical 19 inch standard chassis 1.75" high X 12" deep
Power Redundant power supplies; 100-240 ±10% VAC,
47 -63 Hz, 45 watts



Block Diagram

*10°C to 40°C; 2000m max elevation; 80% max humidity; Specifications subject to change without notice.

Request A Quote