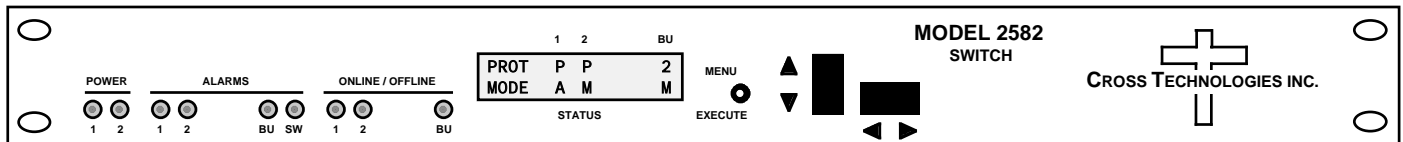


## 2582-122 Backup Switch, 1 for 2 with Backup Controller

The 2582-122 is a 1 for 2 Switch with Backup Controller for downloading and storing user variable data settings from the active, on-line agile, IF to RF frequency (to 2.2 GHz) converters and controlling the back-up frequency converter. The 2582-122 provides Auto or Manual backup protection for up to 2 up or down converters by relay switching of IF and RF from a backup unit to any of 2 on-line units. The controller in the 2582-122 monitors alarms and settings of the on-line units and sets the backup unit to the parameters of the unit being backed up prior to backing it up. The 2582-122 works with standard Cross L-band up and downconverters by polling their monitor and control ports on a periodic basis. A defective unit's inputs and outputs are switched from the failed unit to the backup when a failure occurs either automatically or manually. "On-line", "off-line" and "not used" modes can be programmed for each on-line converter. Alarms are contact closures to ground. Status of the 2582-122 is via a serial data stream and a contact closure to ground on alarm.

All settings are stored in nonvolatile ROM and on power up the 2582-122 polls all units. Manual Select is controlled by the multi-function switches on the front panel. LEDs indicate alarm and switch conditions. The unit is powered by redundant power supplies, and mounted in a 1RU rack-mount chassis.



**Front Panel**

### EQUIPMENT SPECIFICATIONS\*

#### **IF / RF Switch Characteristics**

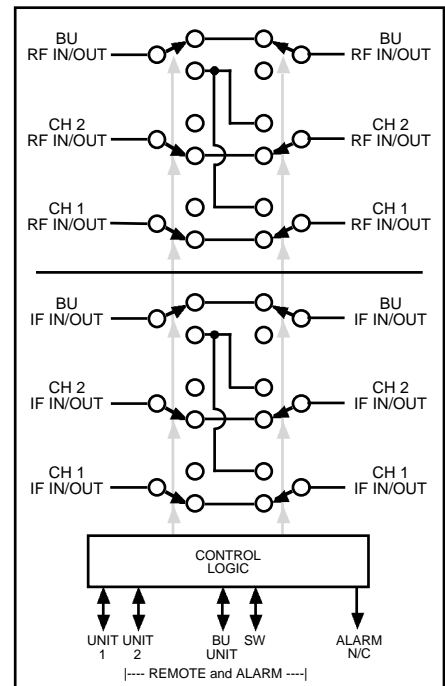
Impedance	75 $\Omega$
Return Loss	$\geq 12$ dB, 0.5 to 2.2 GHz; $\geq 18$ dB, 50 to 200 MHz
Type	Relay
Isolation	$> 55$ dB, DC to 1.5 GHz; $> 50$ dB, to 2.2 GHz;
Switch time	$\leq 100$ milliseconds
Insertion Loss	$\leq 1.5$ dB, to 1.5 GHz; $\leq 2.0$ dB, to 2.2 GHz
Configuration	1 for 2, no termination

#### **Controls, Indicators**

Manual Selection	Push-button switches
Remote Selection	RS 232C (RS 422/485, <b>option Q</b> ), 9600 baud
Power	Green LEDs
Alarms	Red LEDs
Online/Offline	Green LEDs

#### **Other**

RF Connectors	Type-F (female) (Option BNC 75 or 50 Ohm)
IF Connectors	BNC (female) (Option BNC 50 Ohm)
Alarm/Remote Conn's	DB9 (female)
Size	19 inch, 1RU standard chassis, 1.75" high X 16.0" deep
Power	100-240 VAC $\pm 10\%$ , 47-63 Hz, 45 watts max; Redundant power supplies



**Block Diagram**

\*+10°C to +40°C; Specifications subject to change without notice