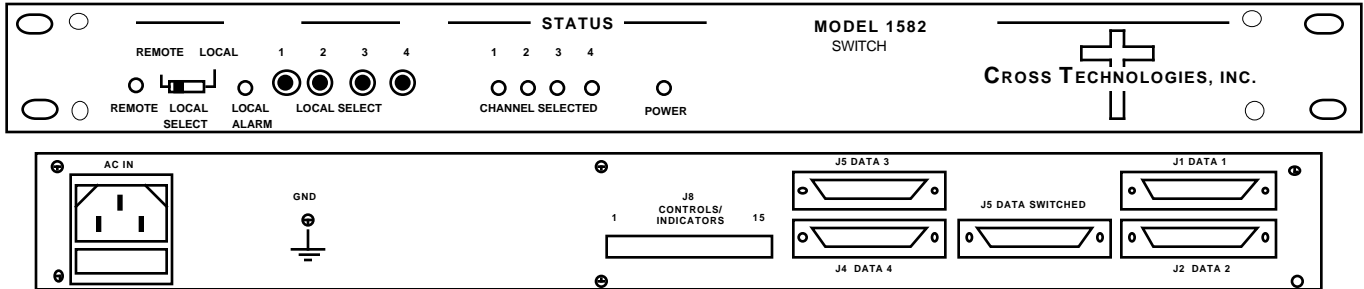




**1582-45L DATA SWITCH**

The 1582-45L provides Remote or Local latched relay switching between CH1, CH2, CH3 and CH4 data signals. The maximum data rate is 1 Mbps on the clock and data lines (8 lines) and up to 56 kbps on all other lines. Remote selection of CH1 to CH4 is by a contact closure to ground of the corresponding selection pin. Local Selection overrides Remote selection commands.

On power loss the selected channel remains on. LEDs and contact closures to ground indicate the channels selected and REMOTE or LOCAL operation.



**1582-45L DATA SWITCH FRONT AND REAR PANEL**

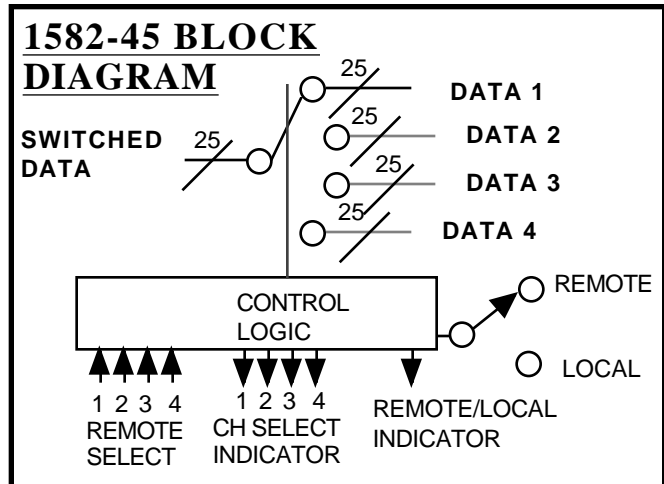
**1582-45L Technical Specifications**

**Data Characteristics**

Input/Output RS422 or RS232  
Data rate, Max. 1 Mbps on clock & data lines, up to 56 kbps on other lines  
Pins Switched All 25 pins

**Switch Characteristics**

Type Latching Relay  
Data Direction Both ways, non-blocking  
Isolation 40 dB, minimum  
Switch time 10 milliseconds, maximum  
Contact resistance 10 , max., < 1 typ.  
Configuration 25P4T



**Controls and Indicators**

LOCAL /REMOTE Sw Slide switch selects between Local and Remote operation  
LOCAL CH Select Push button switches Locally select CH1, CH2, CH3, OR CH4  
LEDS CH1, CH2, CH3, CH4 ON-LINE; POWER; LOCAL; REMOTE

**Other**

Connectors, alarm, Data Barrier Strip, DB25, female  
Mechanical 19 inch standard chassis 1.75"high X 12" deep  
Power Single AC power supply; 90 - 260 VAC, 47 - 60Hz, 30 watts

\*Specifications subject to change without notice

