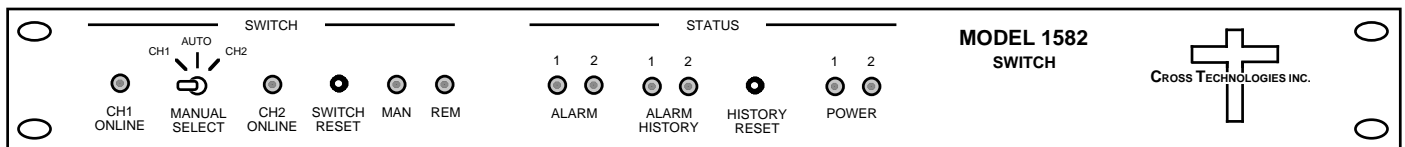


1582-42L Data Switch, RS422

The 1582-42L provides AUTO or Manual latched relay switching between CH1 and CH2 data signals. Alarm conditions on CH1 and CH2 are either a contact closure to ground or an open (selectable). Switching logic can be selected as follows:

1. CH1 Prime Mode - Switches from CH1 to the CH2 only if CH1 alarms and CH2 is good. Switches back when CH1 no longer in alarm or both CH1 and CH2 are bad.
2. Latch to CH2 Mode - Latches to CH2 if CH1 alarms and CH2 is good. Return to CH1 only when Manual Reset switch is pushed or Remote Reset pin is grounded and if no alarm on CH1.
3. Minimum AUTO switching, Initial Channel Select (ICS) Mode - Switch stays on channel last selected by Manual or Remote selection after return to AUTO. AUTO switching occurs only if current channel alarms and other channel is clear.

On power loss and when power is applied (as alarms at power up dictate), the selected channel remains on. The Manual Select switch and (when in AUTO) contact closures to Remote Select pins, select CH1 or CH2 independent of alarms. LEDs indicate alarm and switch conditions for CH1 and CH2 and REMOTE or MANUAL operation. Redundant power supplies provided.



1582-42L DATA SWITCH

EQUIPMENT SPECIFICATIONS*

Data Characteristics

Input/Output RS422
 Data rate 15 Mbps max
 Pins Switched 1, 2, 4, 6, 7, 9

Switch Characteristics

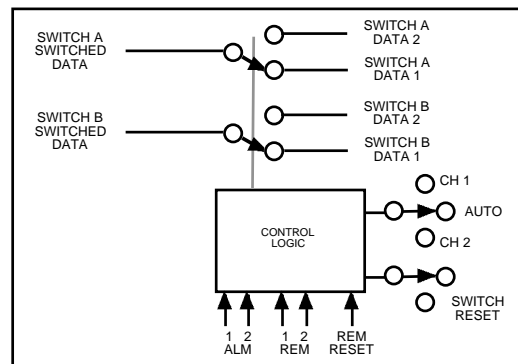
Type Latching Relay
 Isolation >40 dB
 Switch time ≤10 milliseconds
 Contact resist. ≤10Ω, < 1Ω typ
 Configuration DPDT

Controls and Indicators

Manual Select Manually selects CH1, CH2
 SWITCH RESET Resets switch to CH1 if good & switch in latch mode. Also resets REMOTE
 HISTORY RESET Resets alarm history (prior occurrence of alarms now cleared) LEDs ONLY
 LEADS CH1, CH2 ON-LINE, ALARM; ALARM HISTORY; MANUAL; REMOTE; POWER

Other

Alarm Connector Barrier Strip
 Data Connector DB9 (female)
 Mechanical 19 inch standard chassis 1.75" high X 11.5" deep
 Power **100-240 ±10% VAC**, 47 -63 Hz, 20 watts; Redundant power supplies



*+10°C to +40°C; Specifications subject to change without notice

