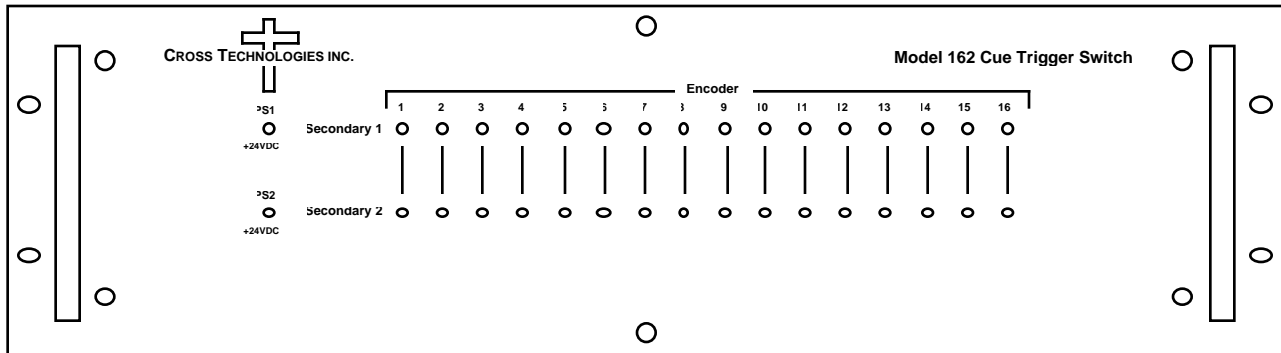


MODEL 162 Cue Trigger Switch

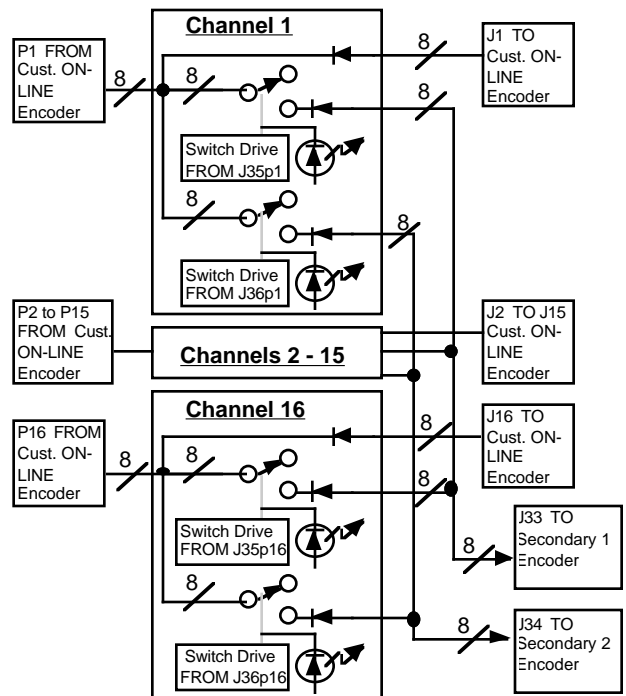
The Model 162 Cue Trigger Switch provides switching of 8 contact closures from each of 16 on-line encoders to two separate 8 line outputs that can go to two different secondary encoders. Switching is determined by providing a closure to ground to the corresponding channel relay control input pin. On receipt of a switch contact closure input, two pairs of 4 Pole, double-throw high sensitivity relays switch 8 contact closures from one of 16 inputs to one of two secondary outputs. In the de-energized state, no signals are switched to the secondary outputs.



MODEL 162 Cue Trigger Switch

TECHNICAL SPECIFICATIONS

<u>Characteristics</u>	<u>Specifications*</u>
Inputs	
From Online Encoders	16
Closures per encoder	8
Polarity	The non-switched voltage must be > pass through out
Outputs	
To Online Encoders	16
To Secondary Encoders	2
Polarity	Positive voltage switched
Relay Specifications (Encoder closure switch)	
Contact current	500ma, max
Contact Voltage	50 volts DC, max
Control signal (closure to gnd to switch relays)	
Control current	30 ma, max
Voltage when open	25 volts DC, max
Indicators (Green LEDs), Other	
Power, Selection	Power supply on, Channels selected for 1, 2
AC Power, Input	100-240 ±10% VAC, 47 - 63 Hz 30 watts, max
AC Fuse (5 mm X 20 mm)	2 amp slow blow (Type T)
Size	19" W X 5 1/4" H X 21" D



162 Switch Block Diagram

*+10 to +40 degrees C;
Specifications subject to change without notice.

Request A Quote