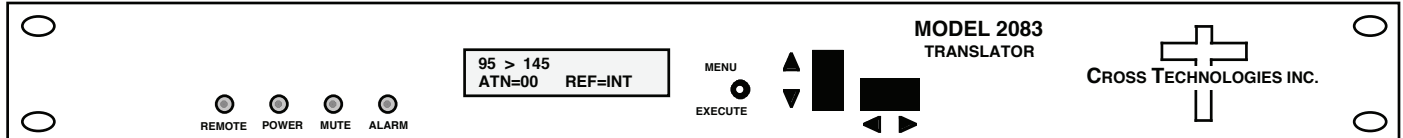


2083-914A Agile IF-to-IF Translator

The 2083-914A Frequency Translator converts 95 MHz to 110-170 MHz or 110-170 MHz to 95 MHz with no spectrum inversion, low group delay, and flat frequency response. The IF input signal is mixed with synthesized local oscillator (LO) signals, first to 1750 MHz and finally to the IF output signal. Multifunction push button switches select the frequency translation, attenuation (0 to 10 dB, adjustable), and 10 MHz reference. These three settings appear on the LCD display. Front panel LEDs light when DC power is applied (green), a PLL alarm occurs (red), the signal is muted (yellow), or remote control is active (yellow). A 10 MHz input allows for connection of an external 10 MHz reference. The 10 MHz output contains the 10 MHz reference signal (be it internal or external). Connectors are BNC female for the IF input and output and 10 MHz input and output. The 2083-914A is housed in a 1 3/4" X 19" X 16" deep rack mount chassis. Option -H provides a ± 0.01 ppm high stability reference.



2083-914A Agile IF-to-IF Translator

EQUIPMENT SPECIFICATIONS*

Input Characteristics

Input Impedance/RL	75 Ω /18 dB
Frequency, 95 to 140	95 \pm 18 MHz
Frequency, 140 to 95	110 to 170 MHz
Input Level	-20 to -10 dBm
Input 1 dB compression	0 dBm

Output Characteristics

Impedance/RL	75 Ω /18 dB
Frequency, 95 to 140	110 to 170 MHz
Frequency, 140 to 95	95 \pm 18 MHz

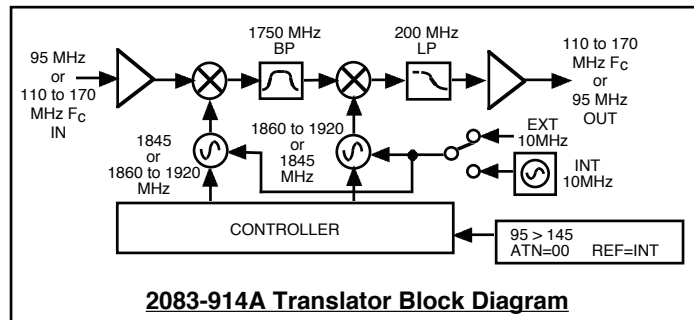
Channel Characteristics

Attenuation	0 to 10 dB; selectable in 1dB steps
Spurious Response	<-50 dBC
Bandwidth	± 36 MHz, ± 0.5 dB; ± 40 MHz, ± 1.0 dB
Group Delay, max	0.01 ns/MHz ² parabolic; 0.03 ns/MHz linear; 1 ns ripple
10MHz In/Out Level	3 dB \pm 3 dB
Frequency Sense	Non-inverting

Synthesizer Characteristics

Frequency Accuracy	± 1.0 ppm internal reference (± 0.01 ppm option -H)
Step Size	1 MHz, 110 to 170 MHz center frequency (140MHz side)

Phase Noise @ Freq	1kHz	10kHz	100kHz	1 MHz
dBC/Hz	-80	-88	-100	-110



2083-914A Translator Block Diagram

Controls, Indicators

Frequency Translation	Direct readout LCD display; push-button switches or remote selection
Gain Selection	Direct readout LCD display; push-button switches or remote selection
Power; Alarm; Mute	Green LED; Red LED; Yellow LED
Remote	Yellow LED; RS232C, 9600 baud

Other

IF Connectors	BNC (female), 75 ohm
10MHz Connectors	BNC (female), 75 ohm
Alarm Connector	DB9 - NO or NC contact closure on Alarm
Size	19 inch standard chassis 1.75" high X 16.0" deep
Power	100-240 $\pm 10\%$ VAC, 47 - 63 Hz, 45 watts max.

Options

- D	BNC (female), 50 Ω for IF In and Out
- H	High Stability, ± 0.01 ppm internal reference

*+10°C to +40°C; Specifications subject to change without notice

Request A Quote