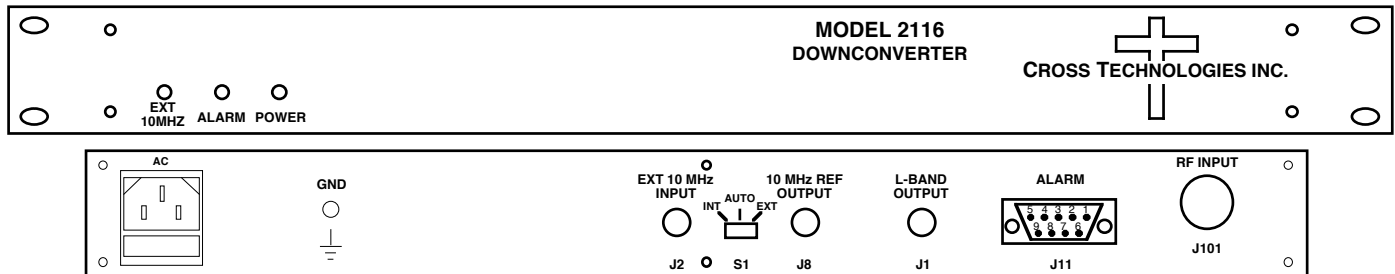


2116-44# Block Downconverter, 4.40 - 5.85 GHz to 0.95 - 2.40 GHz

The 2116-44# Block Downconverter converts **4.40 - 5.85 GHz** to **0.95 - 2.40 GHz** (inverted) with a **6.80 GHz** local oscillator. Front panel LEDs provide indication of DC Power, External 10 MHz, and PLL Alarm. The gain is **+35 dB (+25 dB for Option W25)**. Connectors are Type N female for the RF and BNC female for the L-Band and external reference input and reference output. A three-way switch controls which 10 MHz reference is being used. In the INT position, the internal reference is used, in the EXT position, the external reference is used, and in the AUTO position, the internal reference is used unless a 3 dBm ± 3 dB, 10MHz signal is connected to the external reference input. The 2116 is powered by a 100-240 ±10%VAC power supply, and mounted in a 1 3/4" X 19" X 14" rack mount chassis.



EQUIPMENT SPECIFICATIONS*

Input Characteristics (RF)

Impedance/Return Loss 50Ω/14 dB
 Frequency **4.40 to 5.85 GHz**
 Noise Figure, Max. 15 dB max gain
 Input Level range -55 to -35 dBm (**-45 to -25 dBm; OPTION W25**)
 Input 1 dB compression -25 dBm (**-15 dBm; OPTION W25**)

Output Characteristics

Impedance/Return Loss 50Ω /14 dB
 Frequency **0.95 to 2.40 GHz**
 Output Level Range -20 to 0 dBm
 Output 1 dB compression +10 dBm

Channel Characteristics

Gain **+35 dB ±2 dB (+25 dB ±2 dB; OPTION W25)**
 Image Rejection > 60 dB, min
 Spurious, In Band SIGNAL RELATED < -50 dBc in band, 0 dBm out; SIGNAL INDEPENDENT, < -60 dBm (**0.95-2.40 GHz Out**)
 Spurious, Out of Band < -45 dBm (**0.5-0.94 GHz and 2.41-3.0 GHz Out**)
 Intermodulation < -55 dBc for two carriers each at -10 dBm out
 Frequency Response **±2.0 dB**, 0.95 to 2.40 GHz out; ± 0.5 dB, 40 MHz BW
 Frequency Sense Inverting

LO Characteristics

LO Frequency 6.80 GHz
 Frequency Accuracy ± 0.01 ppm max over temp internal reference; ext. ref. input
 10 MHz In/Out Level 3 dBm, ± 3 dB

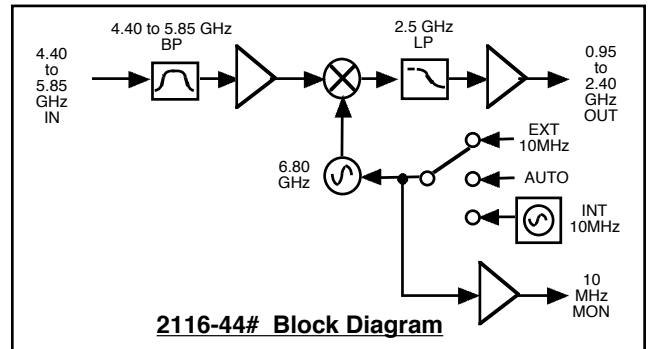
Phase Noise @ Freq	100 Hz	1kHz	10kHz	100kHz	1 MHz
dBC/Hz	-70	-80	-85	-100	-120

Controls, Indicators

Ext 10 MHz Yellow LED, indicates external 10 MHz reference selected (rear panel DPDT switch)
 Power Green LED
 PLL Alarm Red LED, External contact closure

Other

RF, L-band Connector N-type (female), 50Ω, BNC (female), 50Ω
 10 MHz Connectors BNC (female), 75Ω connector; **Works for 50Ω or 75Ω**
 Alarm Connector DB9 - NO or NC contact closure on Alarm
 Size 19 inch standard chassis 1.7" high X 14.0" deep
 Power 100 - 240 ±10% VAC, 47 - 63 Hz, 25 watts max.



Available Options

W25, +25dB gain

Connectors/Impedance

N - 50Ω N-type (RF), 75Ω BNC (L-BAND)
 NF - 50Ω N-type (RF), 75Ω F-type (L-BAND)
 NN - 50Ω N-type (RF), 50Ω N-type (L-BAND)
 S7 - 50Ω SMA (RF), 75Ω BNC (L-BAND)
 SF - 50Ω SMA (RF), 75Ω F-type (L-BAND)
 SN - 50Ω SMA (RF), 50Ω N-type (L-BAND)
 SS - 50Ω SMA (RF), 50Ω SMA (L-BAND)

*10°C to 40°C; Specifications subject to change without notice

