

## 2115-55 Block Upconverter, 5.5 - 6.0 GHz

The 2115-55 Block Upconverter converts 1.2 - 1.7 GHz to 5.5 - 6.0 GHz with low phase noise and flat frequency response. Frequency translation is via a 7.2 GHz local oscillator. Front panel LEDs provide indication of DC Power, External 10 MHz, and PLL Alarm. The gain is +20 dB. Connectors are Type N female for the RF and BNC female for the L-Band and external reference input and reference output. A three-way switch controls which 10 MHz reference is being used. In the INT position, the internal reference is used, in the EXT position, the external reference is used, and in the AUTO position, the internal reference is used unless a 3 dBm  $\pm$  3 dB, 10MHz reference signal is connected to the external reference input. The 2115 is powered by a 100-240  $\pm$ 10% VAC power supply, and mounted in a 1 3/4" X 19" X 14" rack mount chassis.



**Front Panel**

### EQUIPMENT SPECIFICATIONS\*

#### Input Characteristics (L-Band)

Impedance/Return Loss 50 $\Omega$ /14 dB  
 Frequency 1.2 to 1.7 GHz  
 Noise Figure, Max. 20 dB max gain  
 Input Level range -40 to -20 dBm  
 Input 1 dB compression -10 dBm

#### Output Characteristics (RF)

Impedance/Return Loss 50  $\Omega$  /14 dB  
 Frequency 5.5 to 6.0 GHz  
 Output Level Range -20 to 0 dBm  
 Output 1 dB compression +10 dBm

#### Channel Characteristics

Gain +20 dB  $\pm$ 1 dB  
 Image Rejection > 60 dB, min  
 Spurious, Inband SIGNAL RELATED<-60 dBC in band, 0 dBm out; SIGNAL INDEPENDENT,<-60 dBm  
 Spurious, Out of band <-50 dBm  
 Intermodulation <-55 dBC for two carriers each at -10 dBm out  
 Frequency Response  $\pm$ 1 dB, 5.5 - 6.0 GHz out;  $\pm$  0.5 dB, 40 MHz BW  
 Frequency Sense Inverting

#### LO Characteristics

LO Frequency 7.2 GHz  
 Frequency Accuracy  $\pm$  0.01 ppm max over temp internal reference; external reference input  
 10 MHz level 3 dBm,  $\pm$  3 dB, 75 ohms, External In or Internal out

Phase Noise @ F (Hz) >	100	1K	10K	100K	1M
dBC/Hz	-70	-80	-85	-100	-110

#### Controls, Indicators

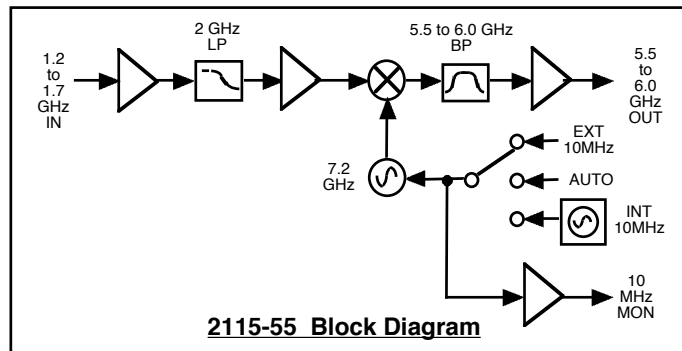
Ext 10 MHz Yellow LED, indicates external 10 MHz reference selected (rear panel DPDT switch)  
 Power Green LED  
 PLL Alarm Red LED, External contact closure

#### Other

RF Connector Type-N (female), 50 $\Omega$   
 L-Band Connector BNC (female), 50 $\Omega$   
 10 MHz Connectors BNC (female), 50 $\Omega$ /75 $\Omega$   
 Alarm Connector DB9 - NO or NC contact closure on Alarm  
 Size 19 inch standard chassis 1.75" high X 14.0" deep  
 Power 100-240  $\pm$ 10% VAC, 47 - 63 Hz, 45 watts max.

#### Available Options

Connectors/Impedance  
 FN - 50 $\Omega$  N-type (RF), 75 $\Omega$  F-type (L-Band)  
 N - 50 $\Omega$  SMA (RF), 75 $\Omega$  BNC (L-Band)  
 NN - 50 $\Omega$  N-type (RF), 50 $\Omega$  N-type (L-Band)  
 NS - 50 $\Omega$  SMA (RF), 50 $\Omega$  N-type (L-Band)  
 S - 50 $\Omega$  SMA (RF), 50 $\Omega$  BNC (L-Band)



\*10°C to 40°C; Specifications subject to change without notice

