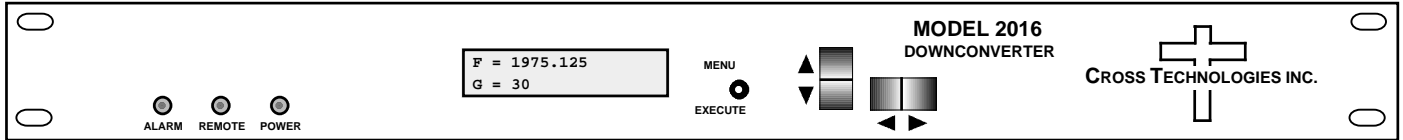


2016-02-370 L-Band Downconverter, 370 ±100 MHz IF

The 2016-02-370 Downconverter converts 950 to 2150 MHz to 370 MHz in **125 kHz steps (100 kHz steps with option X1)** with low group delay and flat frequency response. Synthesized local oscillators (LO) provide frequency selection. Multi-function switches select the input frequency, gain, and other parameters. Front panel LEDs provide indication of DC power, PLL alarm or Remote operation. Gain is adjustable manually (MGC) over a 0 to +30 dB range. The frequency and gain are remotely selectable. Parameter selection and frequency and gain settings appear on the LCD display. Connectors are Type F female for the RF, and BNC female for the IF and external 10 MHz reference input and output. External 10 MHz is standard. A 10 MHz output connector contains either the internal or external 10 MHz reference signal whichever is selected by the user. The 2016-02-370 is powered by a 100-240 ±10% VAC, 47-63 Hz power supply, and is contained in a 1 3/4" X 19" X 16" rack mount chassis.



Front Panel

EQUIPMENT SPECIFICATIONS*

Input Characteristics

Impedance/Return Loss	75Ω/10 dB
Frequency	950 to 2150 MHz
Noise Figure, Max.	20 dB max. gain
Input Level range	-50 to -20 dBm

Output Characteristics

Impedance/Return Loss	50 Ω /18 dB
Frequency	370 ± 100 MHz
Output Level Range	-20 to -10 dBm
Output 1 dB compression	0 dBm, max. gain

Channel Characteristics

Gain range (adjustable)	0.0 to +30.0 dB, 1 ±1 dB steps
Image Rejection	> 45 dB, min., 50 dB typical
Frequency Response	±2.0 dB, 950 to 2150 MHz; ±1.0 dB, 200 MHz BW
Spurious Response	< -45 dBc, in band
Group Delay, max	10 ns total, maximum (parabolic + linear + ripple), 200 MHz BW
Frequency Sense	Non-inverting

Synthesizer Characteristics

Frequency Accuracy	± 1.0 ppm max. over temp (± 0.01 ppm option -H)
Frequency Step	125 kHz

Phase Noise @ Freq	100Hz	1kHz	10kHz	100kHz	1MHz
dBC/Hz	-70	-70	-80	-90	-100

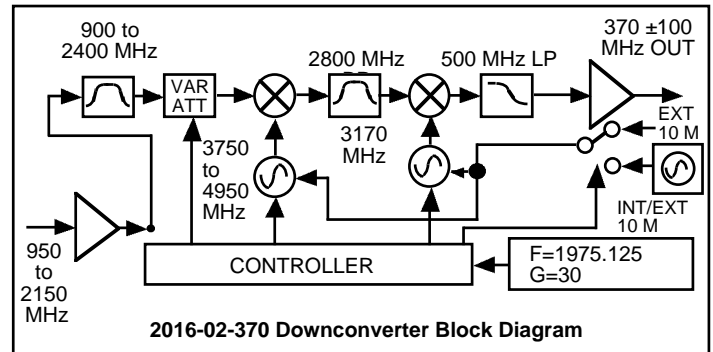
10 MHz Level (In or Out) **3 dBm, ± 3 dB, 75 ohms**

Controls, Indicators

Frequency Selection	Direct readout LCD; manual or remote selection
Gain Selection	Direct readout LCD; manual or remote selection
Power; Alarm; Remote	Green LED; Red LED; Yellow LED
Remote	RS232C, 9600 baud (RS485, Ethernet Optional)

Other

RF Connector	Type F (female)
IF, 10 MHz Connectors	BNC (female)
Alarm/Remote Connector	DB9 (female) - NO or NC contact closure on Alarm
Size	19 inch, 1RU standard chassis 1.75" high X 16.0" deep
Power	100-240 ± 10% VAC, 47-63 Hz, 30 watts max.



Available Options

- H - High Stability (±0.01ppm) Internal Ref
- Q - RS485 Remote Interface
- L - LNB Voltage, +24VDC, 0.4 amps
- X1 - 100 kHz tuning steps
- Z5 - 0.5 dB gain steps
- W8 - Ethernet; w/Web Browser (WB)
- W18 - Ethernet; w/WB & SNMP
- W28 - Ethernet; w/TCP/IP, Telnet®

*10°C to 40°C; Specifications subject to change without notice

