

2016-05A L-band Downconverter

2016-05A L-Band Downconverter - Converts 950 to 1525 MHz to 140 MHz in 1 MHz steps with low group delay and flat frequency response. The 2016-04A Input and Output levels have been optimized to support transmit from an L-band modem to a 140 MHz IF upconverter. Multi-function push button switches select the RF frequency, gain, and other parameters. Front panel LEDs provide indication of DC power (green), PLL alarm (red), and remote operation (yellow). The gain is adjustable from 0 to +50 dB. Remote operation allows selection of frequency and gain. Parameter selection and frequency and gain settings appear on the LCD display. Standard connectors are BNC female for IF output and the optional external reference input and reference output, and Type F female for the RF input. A high stability (± 0.01 ppm) reference, LNB +24 VDC, 0.4 Amps power and 10 MHz reference (includes a 10 MHz output connector), are available Options. The unit is powered by a 100-240 $\pm 10\%$ VAC power supply, and housed in a 1.75" X 19" X 16" 1RU chassis.

j

2016-05A DOWNCONVERTER

EQUIPMENT SPECIFICATIONS*

Input Characteristics

Impedance/Return Loss 75 Ω / 12 dB
 Frequency 950 to 1525 MHz
 Noise Figure, Max. 15 dB (max gain)
 Input Level range -60 to -10 dBm
 Input 1 dB compression -5 dBm

Output Characteristics

Impedance/Return Loss 75 Ω /18 dB
 Frequency 70 \pm 18 MHz
 Output Level/max linear -10 to 0 dBm
 Output 1 dB compression +5 dBm

Channel Characteristics

Gain 0.0 to 50.0 dB, 1 dB steps (manually adjustable)
 Image Rejection > 50 dB, min
 Spurious Response <-45 dBC in band (± 36 MHz), -20 dBm out
 Frequency Response ± 1.5 dB, 950 -1525 MHz; ± 0.5 dB, 72 MHz BW
 Group Delay, max 0.0035 ns/MHz 2 parabolic; 0.025 ns/MHz linear; 1 ns ripple
 Frequency Sense Non-inverting

Synthesizer Characteristics

Frequency Accuracy ± 1.0 ppm max over temp (± 0.02 ppm optional) internal reference; ext. ref. input, optional
 Frequency Step 1.0 MHz minimum

Phase Noise @ Freq	100 Hz	1kHz	10kHz	100kHz	1 MHz
dBC/Hz	-70	-70	-80	-90	-100

External 10 MHz level 0 dBm, ± 3 dB, 75 ohms (option -E)

Controls, Indicators

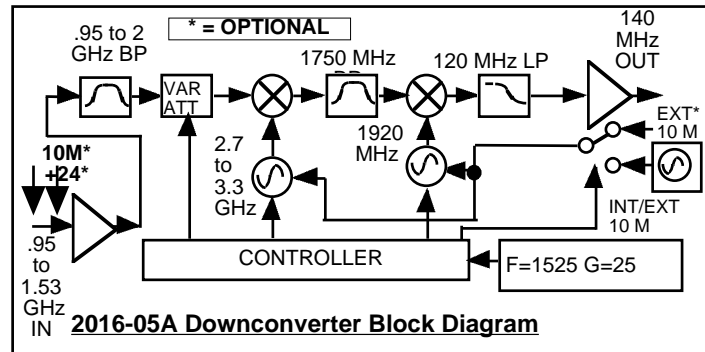
Frequency Selection direct readout LCD; pushbutton switches or remote selection
 Gain Selection direct readout LCD; pushbutton switches or remote selection
 PWR; Alarm; Rem Green LED; Red LED; Yellow LED
 Remote RS232C, 9600 baud

Other

RF,IF, 10 MHz Connectors Type F, female, BNC, female, BNC, female
 Connector, Alarm, Remote DB9 - NO or NC contact closure on Alarm
 Size 19 inch standard chassis 1.75"high X 16.0" deep
 Power 100-240 $\pm 10\%$ VAC, 47 - 63 Hz, 25 watts max.

MODELS, OPTIONS

- E Allows external 10 MHz reference input, 10 MHz reference can be inserted on the RF in
- L LNB +24 VDC, 0.4 Amps with readout of current
- H High Stability (± 0.02 ppm) internal reference



*+10 to +40 degrees C; Specifications subject to change without notice

