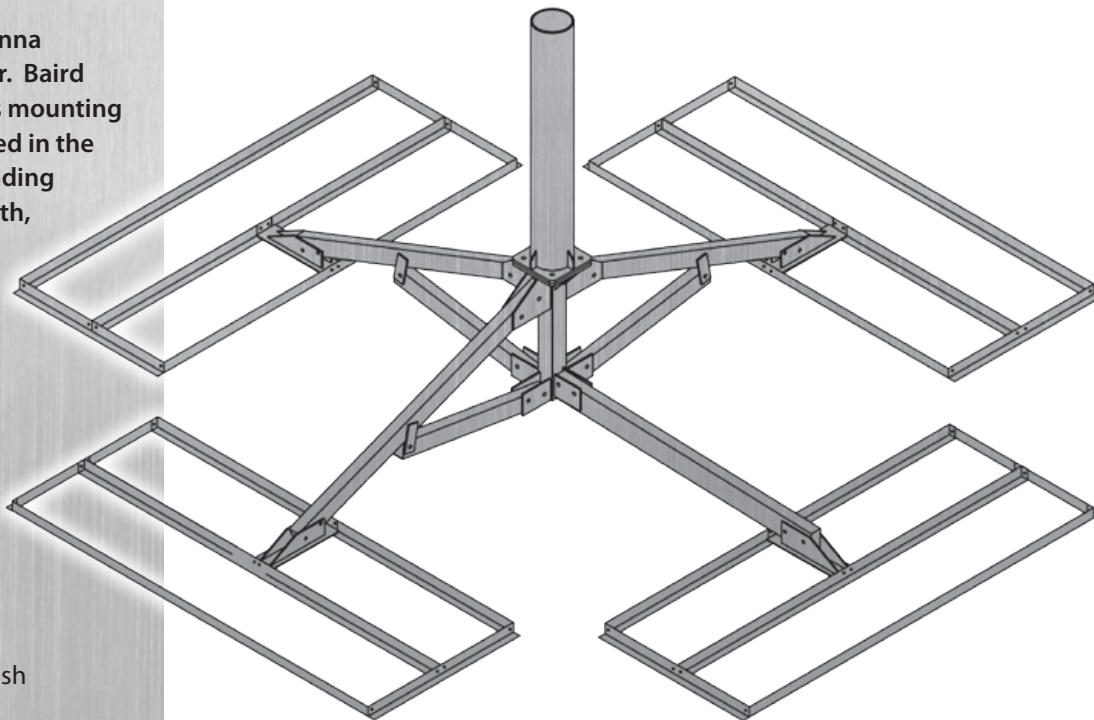


Model: VL-4 (2 Trays Per Leg)
Type: Non-Penetrating Mount System
2.4M Antennas

Baird is the world's leading antenna mounting systems manufacturer. Baird designs, tests and manufactures mounting systems for every antenna offered in the world today. In the most demanding situations and conditions on earth, Baird is ***Underneath It All.***



Superior Quality

- 100% hot dipped galvanized finish
- Zinc plated hardware
- Design tested for survivability
- State-of-the-art manufacturing
- Heavy gauge steel fabrication

Ultimate Flexibility

- Mast sizes to accommodate ALL major antenna brands
- Mast heights up to 10' (3.2M) for wireless and other applications
- Custom installations? Baird can meet your needs with more than 20 years of Industry experience

Product Support

- Engineering and installation support
- Site specific ballast calculations
- Same day shipping of in-stock items
- Extensive inventory

Warranty

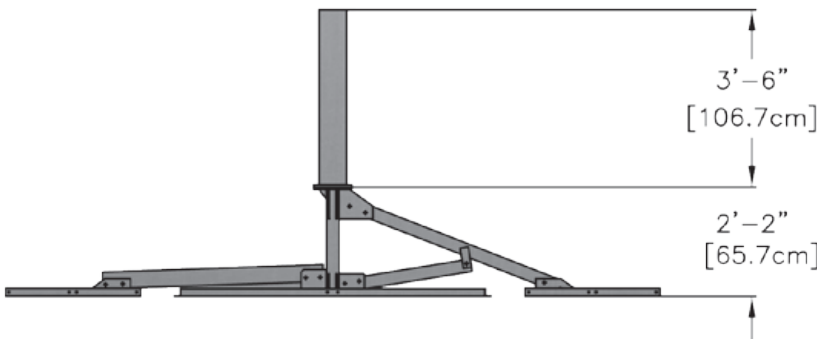
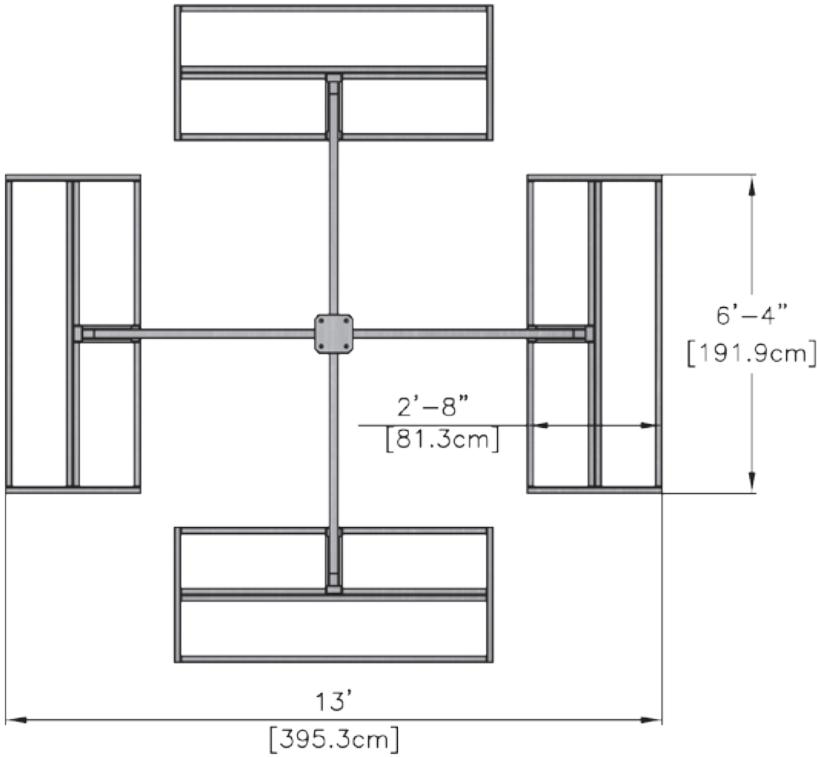
- Your mount is backed by Baird's industry leading...**10 year warranty!**

The VL-4 is designed with a dropped leg to mount satellite antennas at low elevation angles. The VL-4 is used with all major brands of satellite antennas up to 2.4M, some satellite antennas up to 3.1M, wireless products and other applications.



PART NUMBER	DESCRIPTION
VL4-D-662x3-RP	Non-Pen Mount, 2 Trays Per Leg, 13.0' x 13.0' Footprint, 6.62" O.D. x 3' Mast w/ Rubber Roof Pad
VL4-D-662x42-RP	Non-Pen Mount, 2 Trays Per Leg, 13.0' x 13.0' Footprint, 6.62" O.D. x 42" Mast w/ Rubber Roof Pad

PRODUCT INFORMATION	
Application:	Roof-Top or Ground
Type:	Non-Penetrating, Flat Surface
Uses:	Satellite up to 2.4M Some Satellite up to 3.1M Wireless Other Applications
Footprint:	13.0' x 13.0' = 168.2 sq ft
Finish:	Hot Dip Galvanized
Available Options:	1 Tray Per Leg 2 Trays Per Leg 3 Trays Per Leg Penetrating Feet (No Trays)
Satellite Mast Sizes:	6.62" O.D. Up to 42" (Mount Height = 5.7')
Wireless / Other Application Mast Sizes:	4.00" O.D. to 4.50" O.D. 3.0' to 8.0' Height (Mount Height = 5.2' to 10.2')
Ballast:	Up to 64 Standard Concrete Blocks (8" x 8" x 16")
Shipping:	Freight Pallet or Crate
Warranty:	10 Year Product Warranty



Request A Quote