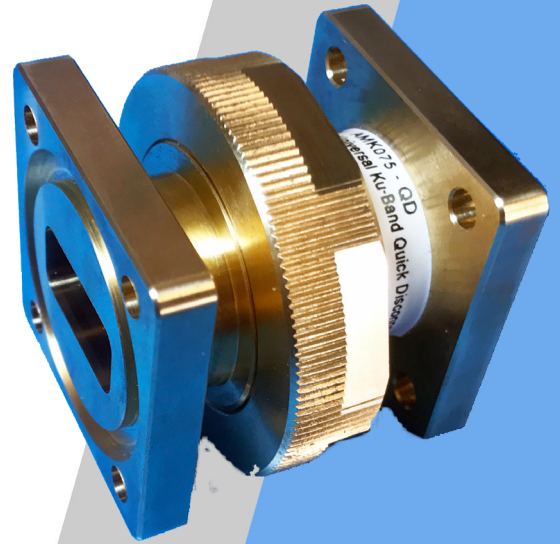


Features:

- ◆ Robust Marine Grade Brass Core Construction
- ◆ Durable & High Strength
- ◆ Dual Silicone Gasket Seal
- ◆ Extremely Low Insertion and Return Loss
- ◆ Covers 10 -15GHz Ku-Band Frequencies
- ◆ Gasket Kit Included
- ◆ 5 Year Warranty

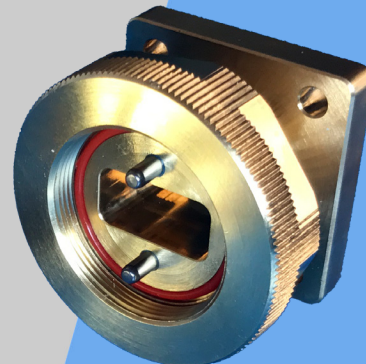
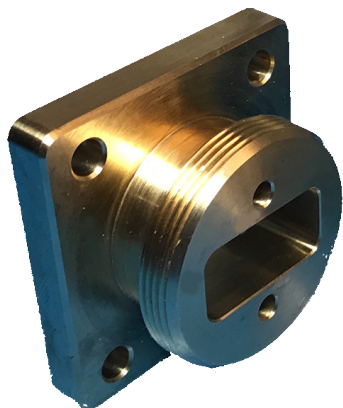


[Request A Quote](#)

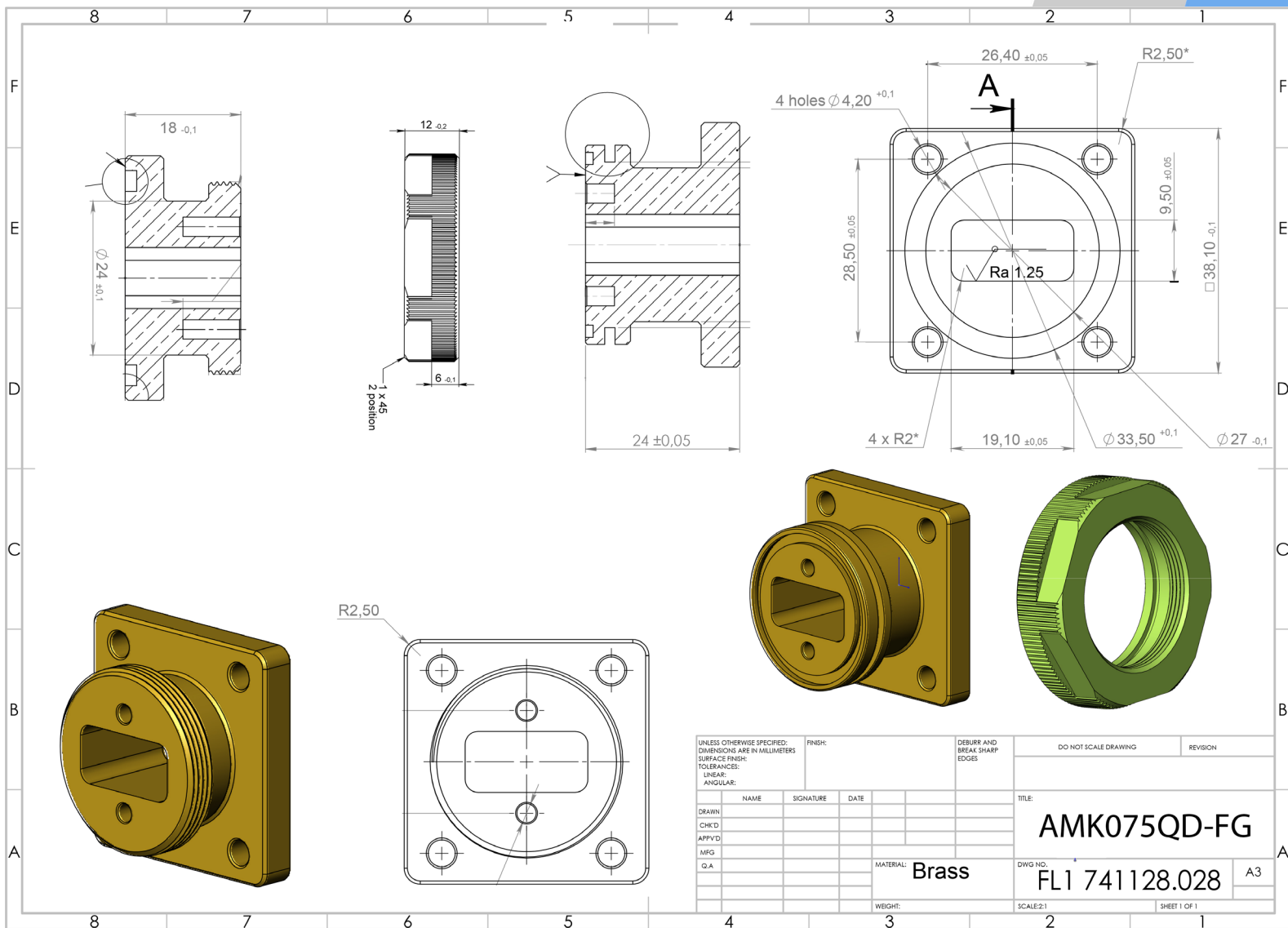


Design Overview:

We put our in-house brilliant minded engineers to design and perfect a waveguide quick disconnect, which not only sustains its precision performance with its solid brass core flanges during the harshest environmental conditions, but can also reliably be used for many years requiring virtually no maintenance. We are the only company which can offer a 5 year warranty on our waveguide components. Thousands of these quick disconnects are used across the globe in various SATCOM applications such as Ground Station, Airborne, Marine, Mobile and Manpack type terminals.



MECHANICAL DRAWING



ORDERING GUIDE

Model Code	Frequency Code	Waveguide Flange Type	Waveguide Type	Flange End 1	Flange End 2
AM	K	075	QD	F	G

Flange Code	Flange Type	Description
F	Flat	Flat / Plain Square Flange WR75F
G	O-Ring Groove	Grooved Square Flange WR75G
QD	Screw On	Quick Disconnect

© 2015 Amkom Design Group Inc.. All rights reserved. All Amkom Design Group Inc. logos and trademarks are the property of their respective owners. Specifications are subject to change without notice. Although every effort has been made to verify the accuracy of the information contained in this document, Amkom Design Group Inc., its officers, employees, and agents disclaim all liability (except for any liability which by law cannot be excluded), for any error, inaccuracy in, or omission from the information contained in this document or any loss or damage suffered by any person directly or indirectly through relying on this information.