



ASM3315 Series

3315 Outdoor Satellite Modem

ASM3315 is a rugged 3315 outdoor satellite modem for use in challenging environment. Ability to operate on either Evolution, Velocity or Dialog platform.

Supports broad array of mobility capabilities and is fully equipped to operate on HTS spot beams satellites, suitable for integration into highly compact COTM terminals for government and defence, broadcast and mobility markets.

Features

- Support Evolution, Dialog or Velocity platform
- DVB-S2 (up to 45Msps) / DVB-S2X* (up to 500Msps) outbound
- Supports DVB-S2X MODCODS up to 64APSK
- Return max rates up to 29Msps (ATDMA), 64Msps (SCPC), 25Msps (Mx-DMA MRC)
- Ideal for both fixed and mobility applications with peak throughput rates up to 120/48 Mbps
- Security features with Optional *AES 256 encryption
- OpenAMIP and GXT file support for mobility
- ATMEL chip for authentication
- Embedded TCP acceleration, GTP acceleration and header compression
- IP67 Waterproof Rated

Quality Assurance

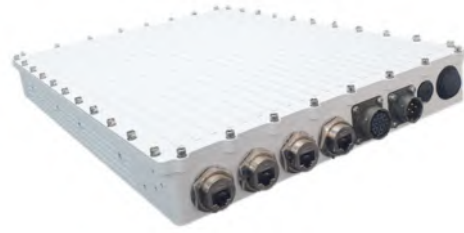
Stringent quality checks to ensure operation in harsh outdoor environment conditions. 100% subjected to seal test for water ingress verification.

Reliability

Designed to withstand operational temperature ranging from -25°C to +60°C under 100% humidity.

ASM3315 Series

3315 Outdoor Satellite Modem



Technical Specifications

Network Configuration

| Network Topology | Rx | Tx | | | |
|------------------|------------------------------------|---|----------------------------|------------------------------------|------------------------------------|
| | | MF-TDMA | Mx-DMA HRC | Mx-DMA MRC | SCPC |
| Dialog | DVB-S2/DVB-S2X* | | | | |
| Modulation | QPSK, 8PSK, 16APSK, 32APSK, 64APSK | 4CPM | QPSK, 8PSK, 16APSK, 32APSK | QPSK, 8PSK, 16APSK, 32APSK, 64APSK | QPSK, 8PSK, 16APSK, 32APSK, 64APSK |
| Symbol Rate | 1Msps to 480Msps | Up to 7.6Msps | Up to 20Msps | Up to 25Msps | 1Msps to 64Msps |
| Velocity | DVB-S2 | Adaptive TDMA | | | |
| Modulation | QPSK, 8PSK, 16APSK, 32APSK | BSPK, QSPK, 8PSK | | | |
| Symbol Rate | 1Msps to 45Msps | Up to 7.5Msps | | | |
| Evolution | DVB-S2/DVB-S2X | Adaptive TDMA | | | |
| Modulation | QPSK, 8PSK, 16APSK, 32APSK, 64APSK | BSPK, QSPK, 8PSK, 16APSK, 32APSK, 64APSK, 16QAM | | | |
| Symbol Rate | 1Msps to 64Msps | 1Msps to 29Msps | | | |

*Platform and release dependent

Interfaces

Transmit

| | |
|-----------------------|---|
| Connector | N-Type Female 50Ω |
| Frequency Range | 950-2400MHz |
| TX Output Power Level | -55dBm to +5dBm (Dialog) -45dBm to +5dBm (Velocity) |
| BUC Power Supply | 24VDC 4A or 43~44VDC 3.5A @TX connector (software selectable) |
| BUC Reference | 10/50 MHz, 1 to 5 dBm |

Receive

| | |
|-------------------------|----------------------------------|
| Connector | Two N-Type Female 50Ω |
| Frequency Range | 950-2150MHz |
| LNB Power Supply | 13/18VDC, 0.5A max @RX connector |
| LNB Band Select | 13/18V or 22KHz Tone On/Off |
| LNB Polarization Select | 13/18V or 22KHz Tone On/Off |

Interfaces

Data LAN

| | |
|---------------------|--|
| Connector | Four 100/1000 Mbps Ethernet, auto MDI/MDIX |
| Protocols Supported | UDP, IPv4 & IPv6, ICMP, TCP, IGMPv1, IGMPv2, ARP, DHCP, DNS, NTP, BGP, NAT, Diffserv Marking |

Management I/O

| | |
|-----------|-------------------------------|
| Connector | Bayonet Circular Female 14-19 |
|-----------|-------------------------------|

Indicator

| | |
|-----|--|
| LED | Power Supply, Transmit, Receive, Alarm, Ethernet |
|-----|--|

Reference

| | |
|-------------|-------------------|
| Connector | N-Type Female 50Ω |
| Frequency | 10/50MHz |
| Power Level | 1 to 5 dBm |

Power Supply

| | |
|---|----------------------------|
| Connector | Bayonet Circular Male 12-4 |
| Input Voltage | 24VDC (22.8V – 25.2V) |
| Input Current (excluding BUC & LNB) | 1.2A typ. |
| Power Consumption (excluding BUC & LNB) | 28.8W typ. 30.24W max. |

Environmental

| | |
|------------------------------|----------------|
| Operating Temperature | -25°C to +60°C |
| Storage Temperature | -40°C to +85°C |
| Relative Humidity | Up to 100% |
| Weatherproof | IP67 |

Mechanical

| | |
|---|---|
| Dimension (excluding interface connectors) | L377 x W267 x H43mm L14.84" x W10.51" x H1.69" |
| Weight | 3.5Kg / 7.7lbs |

NOTE: All specifications subject to change without notice
B03D04

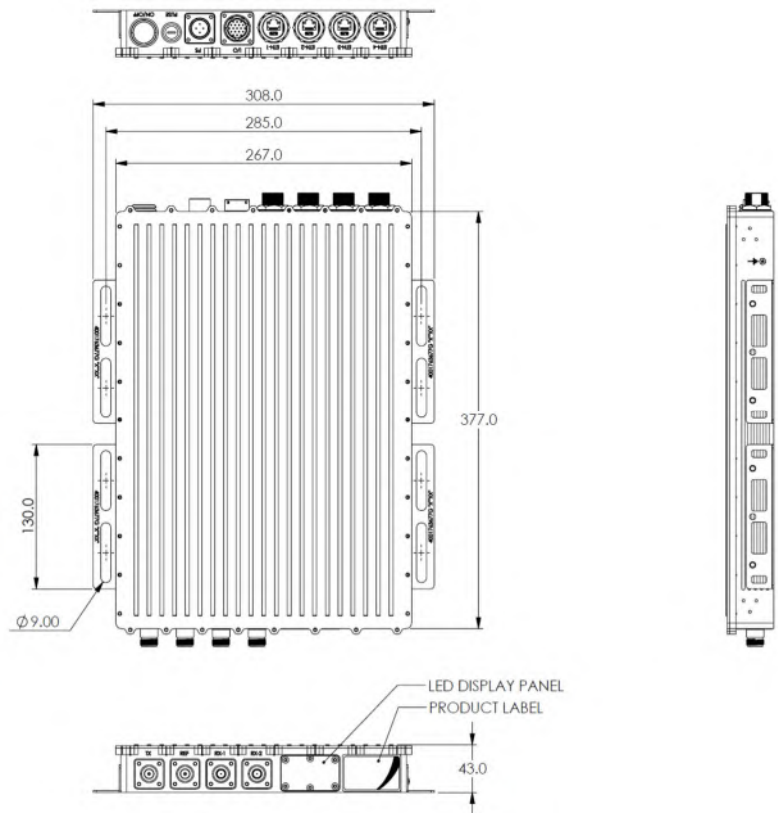
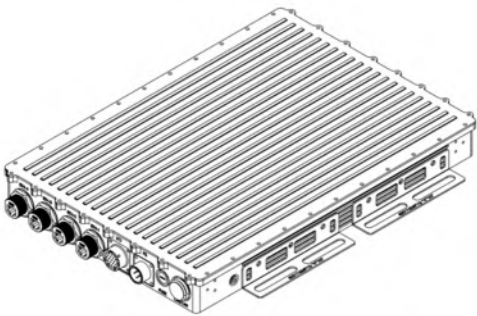
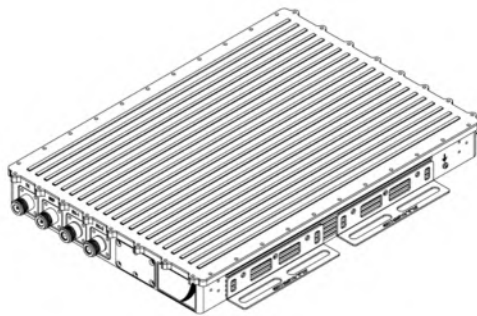
ASM3315 Series

3315 Outdoor Satellite Modem

Standard Part List

| ITEM | PRODUCT NAME | OPTION | PART NUMBER | QTY | DESCRIPTION |
|------|------------------------|--------|---------------|-----|--|
| 1 | Modem | | ASM3315-24 | 01 | Modem |
| 2 | Power Supply Connector | | 5702200042 | 01 | CONN PLUG STRAIGHT SOCKET 12-4S SOLDER |
| 3 | I/O Connector | | 5702200041 | 01 | CON PLUG STRAIGHT PIN 14-19P SOLDER |
| 4 | ETH Connector | | P0006973-0001 | 04 | CONN ETH RJ45 METAL SCREW THREAD IP67 |

Mounting Diagram



Option Item

| ITEM | PRODUCT NAME | OPTION | PART NUMBER | DESCRIPTION |
|------|--------------------------|--------|--------------|---|
| 1 | PSU | | APSVAC24-185 | Outdoor Power Supply 90-265VAC Input 24VDC Output |
| 2 | Power Supply Input Cable | 2M | 2502042554 | C/A DC 12-4S TO 4CORE OPEN END 2M |
| 3 | Rack Mount Bracket | | 4001763692G | BRACKET PANEL RM HOLDER MODEM SMB3315 |

NOTE: Part list and drawing subject to change without notice
B03D04

ASM3315 Series

3315 Outdoor Satellite Modem

Connector Pin Configuration

| ITEM | INTERFACE | CONNECTOR | PIN | FUNCTION |
|------|-----------------|-----------|-----|--------------|
| 1 | I/O | 14-19S | A | RESET_N |
| | | | B | GND |
| | | | C | GND |
| | | | D | PWR_GOOD_P |
| | | | E | PWR_GOOD_N |
| | | | F | GND |
| | | | G | KEYLINE_B(N) |
| | | | H | KEYLINE_A(P) |
| | | | T | GND |
| | | | J | BUC_RXD_N |
| | | | K | BUC_RXD_P |
| | | | L | GND |
| | | | M | BUC_TXD_N |
| | | | N | BUC_TXD_P |
| | | | U | GND |
| | | | P | CM_RESET_P |
| | | | V | CM_RESET_N |
| R | GND | | | |
| S | ENABLE_N (SEL1) | | | |
| 2 | Power Supply | 12-4P | A | +VE |
| | | | B | +VE |
| | | | C | -VE |
| | | | D | -VE |

ORDERING INFORMATION

ASM

Product Series
Outdoor Modem

3315

Modem Series
3315

- **24**

Input Voltage
24 = 24Vdc

- **EV**

Platform
DI = Dialog
EV = Evolution
VE = Velocity

Request A Quote

