



BUC

KU-BAND 1081XRTS

8W NON-INVERTED

SELECTABLE



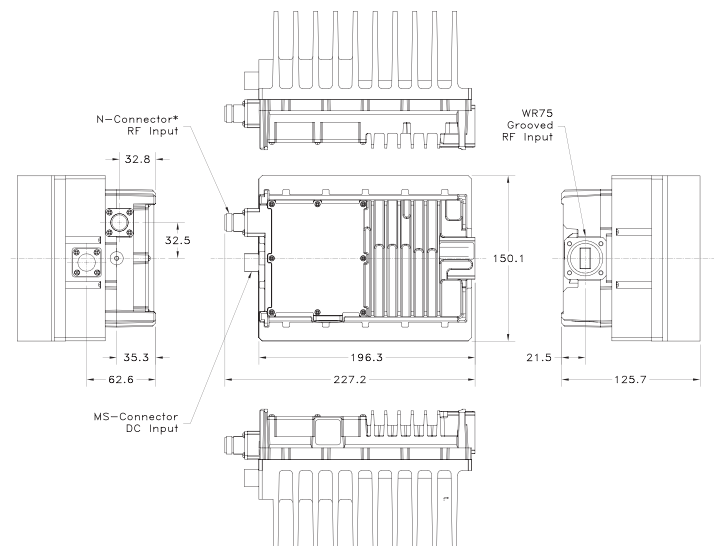
TYPICAL SPECIFICATIONS

Output frequency	13.75 to 14.50 GHz (14.00 to 14.50 GHz)
Input frequency	950 to 1700 MHz (950 to 1450 MHz)
Output to P1dB	39 dBm
L.O. frequency	12.8 GHz (13.05 GHz)
Input VSWR	2.0 : 1
Output VSWR	2.1 : 1
Phase noise (SSB)	-70 dBc/Hz at 1 kHz -80 dBc/Hz at 10 kHz -90 dBc/Hz at 100 kHz
External reference signal frequency	10 MHz
Power requirements	BUC: 48V BUC & AC PS: 100V BUC & AC PS: 240V
Power consumption	BUC: 80W BUC & AC PS: 94W BUC & AC PS: 91W
Output Waveguide	WR75 - grooved
Dimensions	BUC: 230 (L) x 130 (W) x 130 (H) mm (9.1 x 5.1 x 5.1 in) PS: 258 (L) x 149 (W) x 73 (H) mm (10.2 x 5.9 x 2.9 in)
Weight	BUC: 4.0 kg / 8.8 lb PS: 2.0 kg / 4.4 lb

External reference level	-5 to +5 dBm
10 MHz external reference phase noise	-135 dBc/Hz at 100 Hz -140 dBc/Hz at 1 kHz -150 dBc/Hz at 10 Hz
Gain (including variation over temperature and frequency)	59 dB min 66 dB max
Gain stability over temperature	±2.25 dB at any constant frequency
Gain stability in-band at any constant temperature	±1.0 dB in any 54 MHz band ±3.0 dB over full 750 MHz band
Temperature Range	-40°C to +55°C

Fully contained including universal outdoor AC power supply, universal BUC support brackets, 3m cable and AC power supply cord connectors (AC PS cable not included)

MECHANICAL DIAGRAM



HOW TO ORDER

1081XRTSN



Request A Quote