



LNA

KA-BAND

9000 SERIES



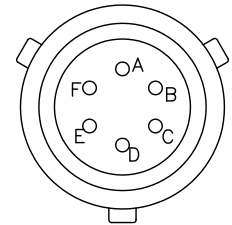
TYPICAL SPECIFICATIONS

Frequency	20.20 to 21.20 GHz
Noise figure	1.5 dB
Input VSWR	2.2 : 1
Output VSWR	2.2 : 1
Output P1dB	8 dBm
Dimensions	116 (L) x 49 (W) x 40 (H) mm
Weight	300 g
Input Waveguide	WR-42
DC Power	MS3112E10-6P

Gain	55 dB
Gain flatness	4 dB p - p max
Power requirements	+15 to +24 V
Current drain	150 mA
Temperature range	-40°C to +60°C

PIN-OUT

Connector	Signal Name
A	Supply Voltage
B	GND
C	GND
D	NC
E	NC
F	NC



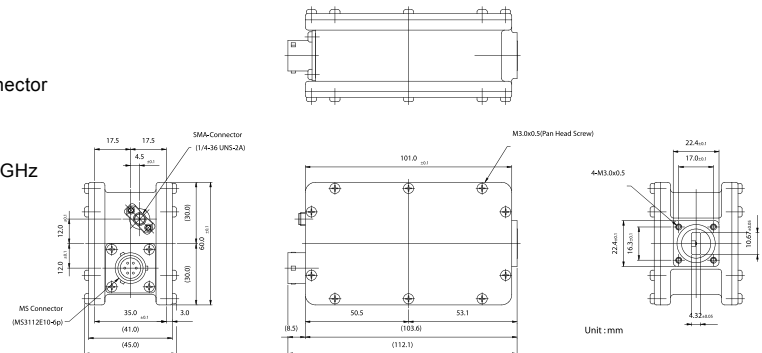
Note: Mating connector is supplied.

HOW TO ORDER

LNA-9000CS

- CONNECTOR** S - SMA Connector
F- 75 Ohm
N- 50 Ohm
- FREQUENCY** 20.20 - 21.20 GHz
- LNA SERIES #**

MECHANICAL DIAGRAM



Request A Quote