

Full C-band 3W BUC

MODEL No. NJT5679 series

< Features >

- * **Wide band Radio Frequency**
 - Frequency: 5.85 to 6.725 GHz (Standard C-band & Palapa C-band)
- * **High Efficiency Output Power**
 - P1dB: +34 dBm min. over temperature
- * **Lower Power Consumption**
 - Power Consumption: 35 W
- * **Small Size & Light Weight**
- * **LED Indicator**
- * **RoHS Compliance**



< Line-up >

Model No.	RF Frequency	Local Frequency	IF Frequency	Output Power @ P1dB	IF Connector	Power Supply	LED Indicator
NJT5679N	5.85 to 6.725 GHz (Full C-band)	4.90 GHz	950 to 1,825 MHz	3W Linear (+34 dBm min.)	N-type	+24 VDC (+15 to +30 VDC)	Equipped
NJT5679F					F-type		

< Specifications >

Item	Specifications
Output Interface	Waveguide, CPR137 (with Groove)
Input Interface	N-type, female (50 ohm) [Model No.: NJT5679N] F-type, female (75 ohm) [Model No.: NJT5679F]
Output Power @ 1dB G.C.P.	+34 dBm min. over temperature
Linear Gain	58 dB nom.
Requirement for External Reference	[Frequency] 10 MHz (sine-wave) [Input Power] -5 to +5 dBm @ Input port [Phase Noise] -125 dBc/Hz max. @ 100 Hz -135 dBc/Hz max. @ 1 kHz -140 dBc/Hz max. @ 10 kHz
L.O. Phase Noise	-60 dBc/Hz max. @ 100 Hz -70 dBc/Hz max. @ 1 kHz -80 dBc/Hz max. @ 10 kHz -90 dBc/Hz max. @ 100 kHz
Input V.S.W.R.	2 : 1 max.
Output V.S.W.R.	2 : 1 max.
Power Requirement	+24 VDC (+15 to +30 VDC)
Power Consumption	35 W max.
Mute	Shut off the HPA in case of L.O. unlocked or no 10 MHz reference signal.
LED Indicator	GREEN: L.O. locked / RED: L.O. unlocked or no 10 MHz reference signal
Temperature Range (ambient)	-40 to +55 C (operating) -40 to +75 C (storage)
Dimension & Housing (without Interface Connectors)	190.6 mm (L) x 160 mm (W) x 59 mm (H) [7.50" (L) x 6.30" (W) x 2.32" (H)]
Weight	1.9 kg [4.2 lbs]

*Note: The contents of this sheet are subject to change without notice.

(1/3)
Rev.01(April. 2014) C 3W BUC_NJT5679

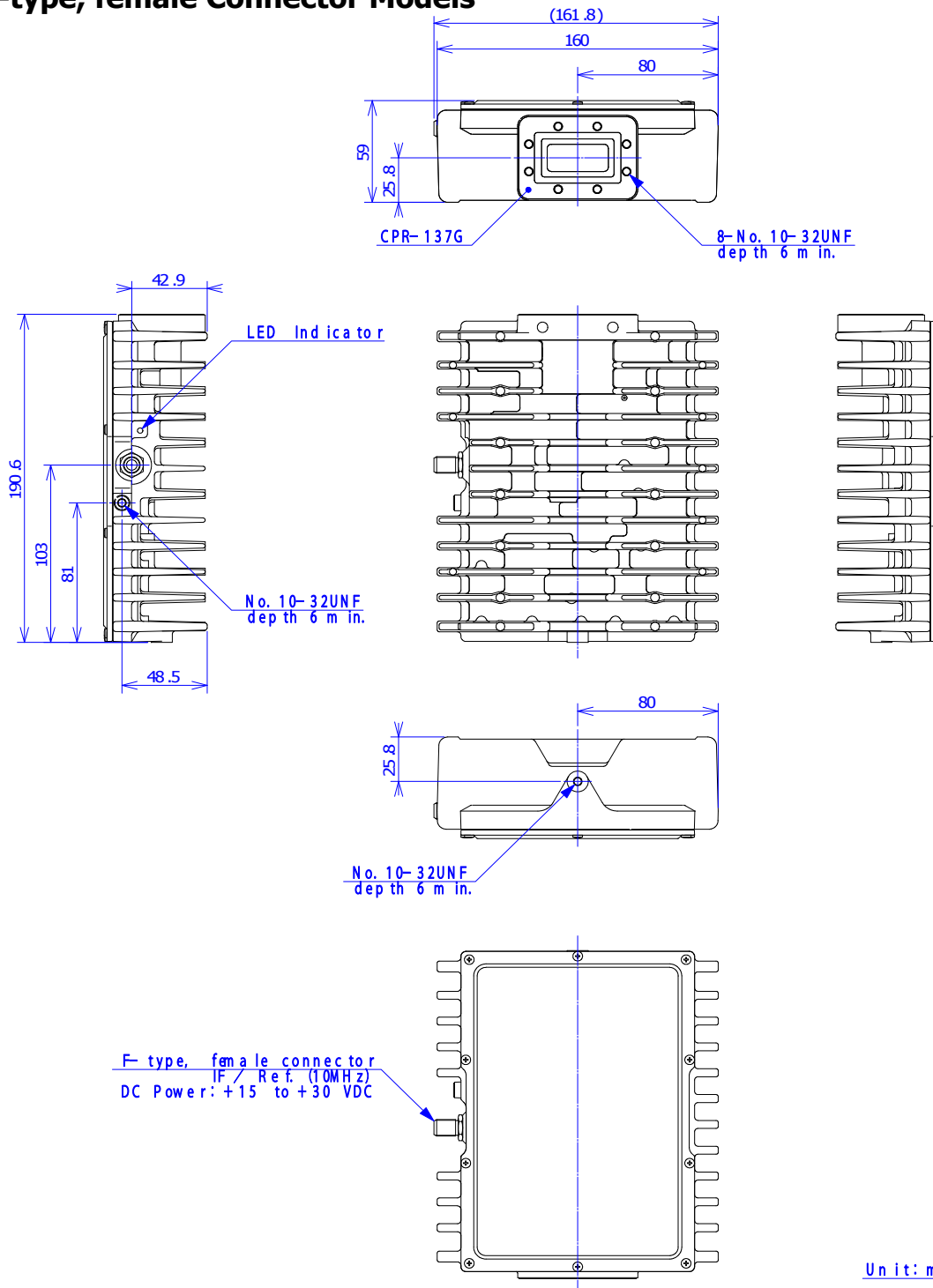
Request A Quote

Full C-band **3W** BUC

MODEL No. **NJT5679** series

< Outline Drawing >

F-type, female Connector Models



Unit: mm

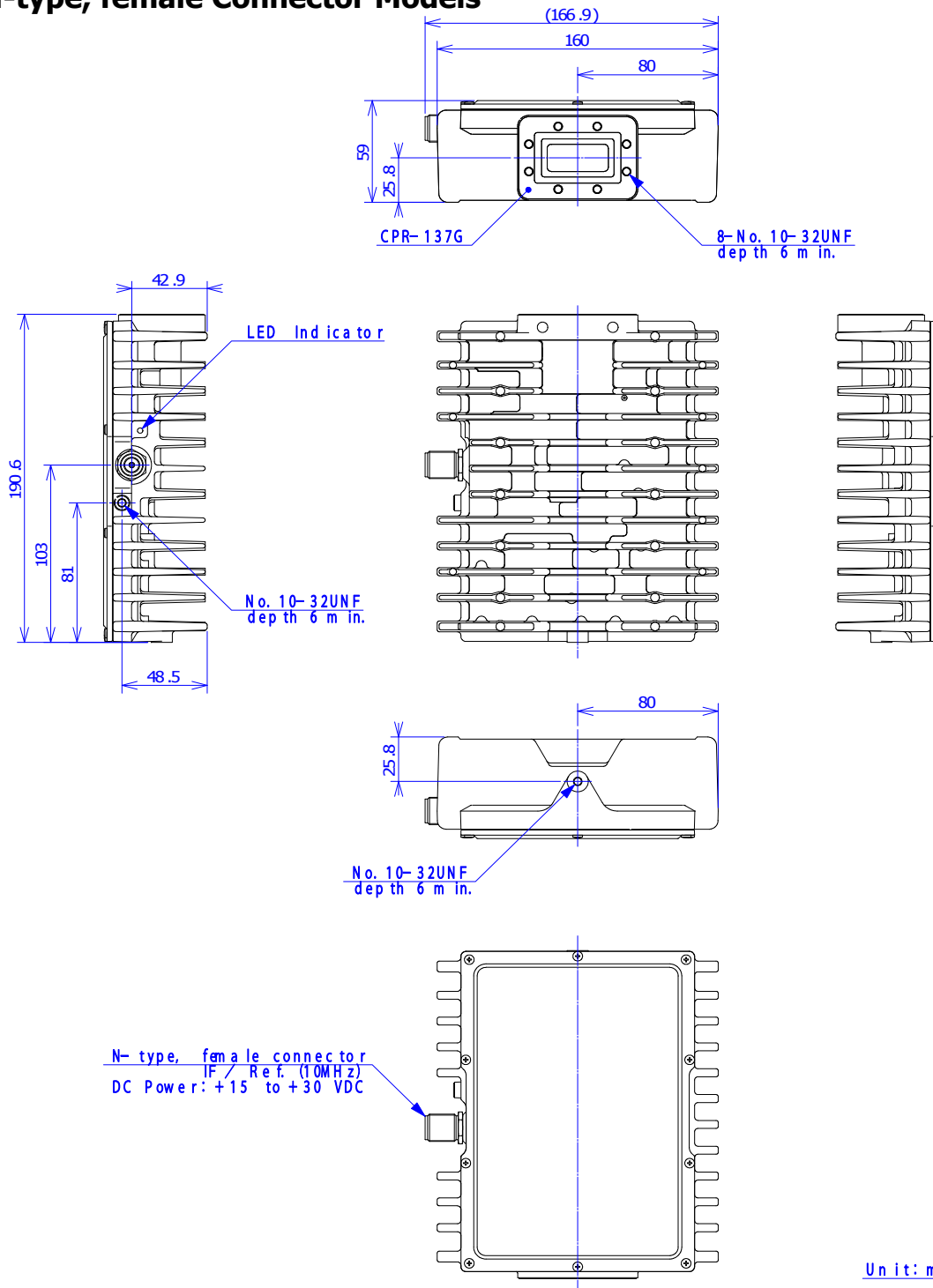
*Note: The contents of this sheet are subject to change without notice.

Full C-band 3W BUC

MODEL No. NJT5679 series

< Outline Drawing >

N-type, female Connector Models



Unit: mm

*Note: The contents of this sheet are subject to change without notice.