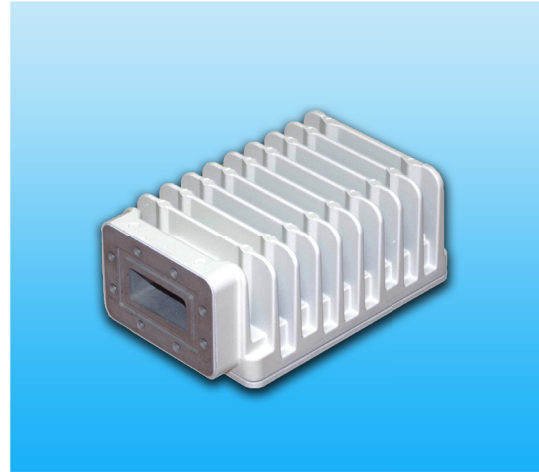


Full / Standard C-band 3W BUC

MODEL No. **NJT8103** series

< Features >

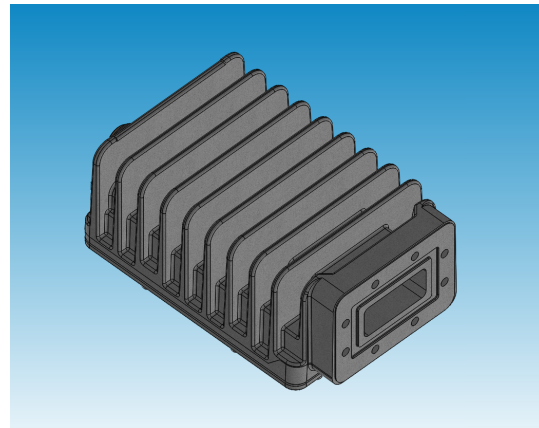
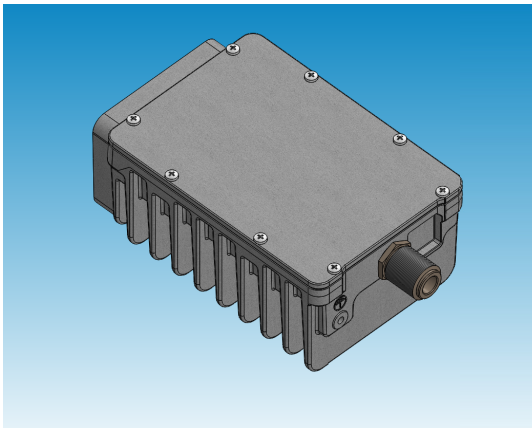
- * **RF Frequency Line-up**
 - Full C-band: 5.85 to 6.725 GHz
 - Standard C-band: 5.85 to 6.425 GHz
- * **High Efficiency Output Power**
 - P1dB: +34.5 dBm min. over temperature
 - ACPR: -24 dBc @ Pout = +34.5 dBm
 - Power Consumption: 21 W
- * **Compact Size & Light Weight**
 - Dimension: 135.4 (L) × 85 (W) × 56 (H) mm
 - Weight: 800 g



< Line-Up >

Model No.	RF Frequency	Local Frequency	IF Frequency	Output Power @ P1dB	IF Connector	Power Supply
NJT8103N	5.85 to 6.425 GHz (Standard C-band)	4.90 GHz	950 to	3W Linear (+34.5dBm min.)	N-type	+12 to +30 V DC Power
NJT8103F			1,525 MHz		F-type	
NJT8103WN	5.85 to 6.725 GHz (Full C-band)		950 to		N-type	
NJT8103WF			1,825 MHz		F-type	

< Outline >



Full / Standard C-band 3W BUC

MODEL No. NJT8103 series

< Specifications >

Item	Specifications
Output Power @ 1dB G.C.P. (P1dB)	+34.5 dBm min. over temperature
Linear Gain	59 dB nom., 53 dB min.
Gain Variation over frequency	
Standard C-band:	5 dBp-p max. over 575 MHz / 2 dBp-p max. over 36 MHz
Full C-band:	5 dBp-p max. over 875 MHz / 2 dBp-p max. over 36 MHz
Gain Stability over temperature	2 dBp-p typ., 5 dBp-p max.
ACPR	-26 dBc typ. @ Pout = +34.5 dBm
L.O. Phase Noise	-60 dBc/Hz max. @ 100 Hz -70 dBc/Hz max. @ 1 kHz -80 dBc/Hz max. @ 10 kHz -90 dBc/Hz max. @ 100 kHz -100 dBc/Hz max. @ 1 MHz
Input V.S.W.R.	2 : 1 max.
Output V.S.W.R.	2 : 1 max.
DC Power Requirement	
(1) Voltage Range	+24 VDC (+12 to +30 VDC)
(2) Power Consumption	21 W typ., 25 W max. @ Pout = +34.5 dBm 18 W typ. @ No IF signal 2 W max. @ 10 MHz reference off (Mute on)
Mute	Shut off the HPA in case of L.O. unlocked or no 10 MHz reference signal
Temperature Range (ambient)	
Operating:	-40 to +60 °C
Storage:	-40 to +75 °C
Dimension & Housing	135.4 (L) × 85 (W) × 56 (H) mm [5.33" (L) × 3.35" (W) × 2.20" (H)] without interface connectors and screws
Weight	800 g [1.8 lbs]

*Note: The contents of this sheet are subject to change without notice.

(2/4)
Rev.01(July 2016) C 3W BUC_NJT8103



New Japan Radio Co., Ltd.
Microwave Division

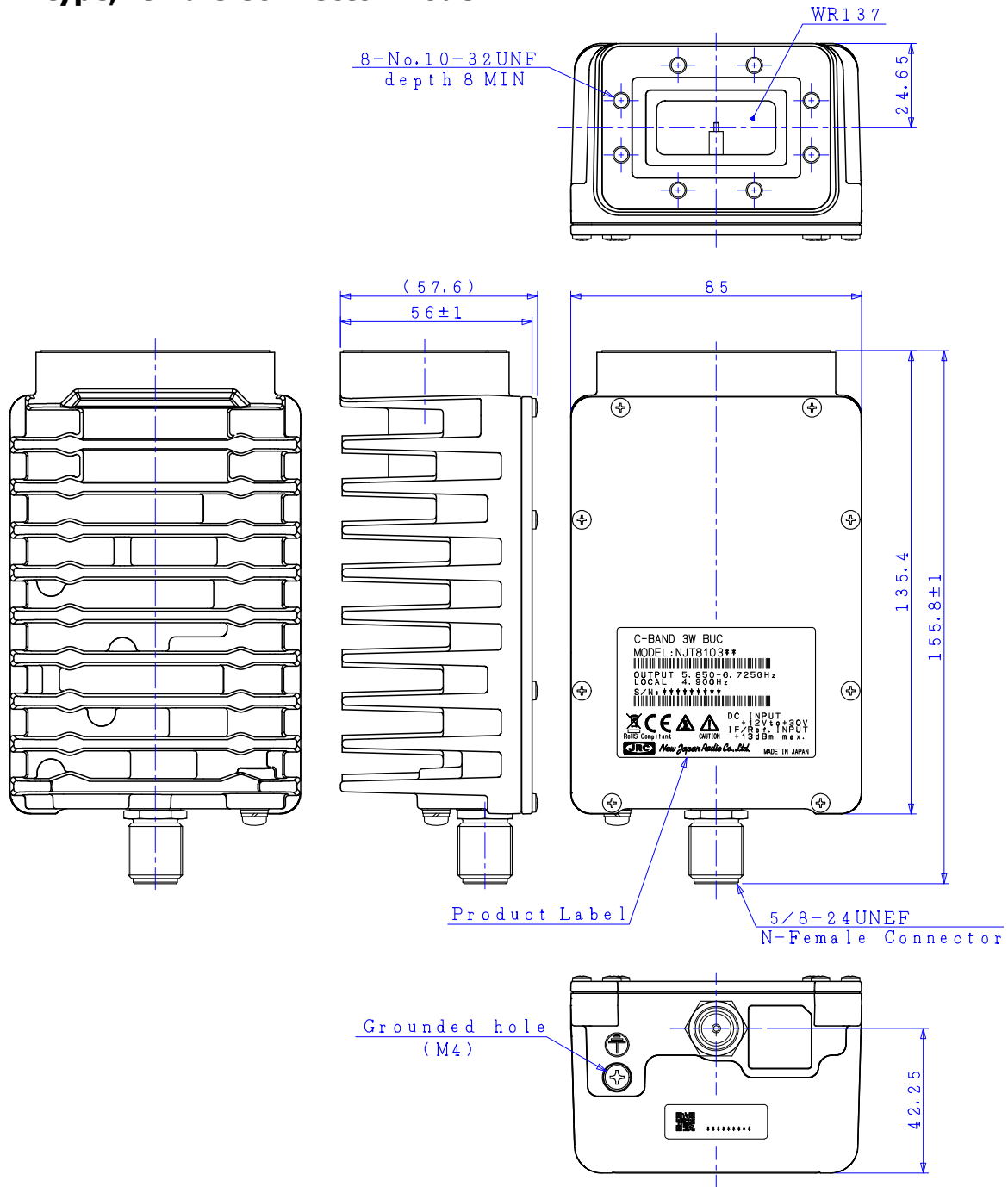
Copyright © 2016 New Japan Radio Co., Ltd.

Full / Standard C-band 3W BUC

MODEL No. NJT8103 series

< Outline Drawing >

N-type, female Connector Model



UNIT: mm
Tolerance: ±0.5

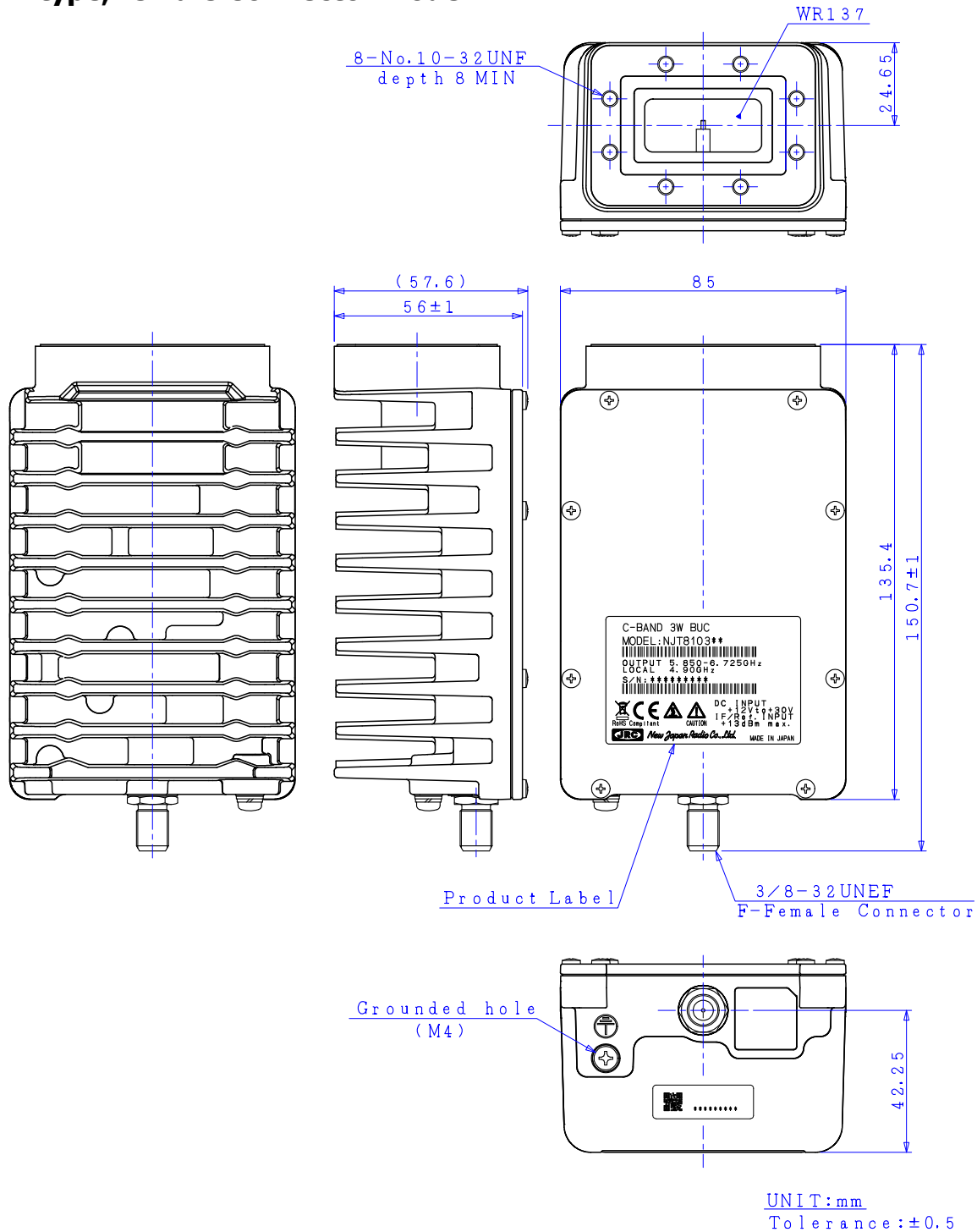
*Note: The contents of this sheet are subject to change without notice.

Full / Standard C-band 3W BUC

MODEL No. NJT8103 series

< Outline Drawing >

F-type, female Connector Model



*Note: The contents of this sheet are subject to change without notice.