

Model: B4-6x8
Type: Non-Penetrating Mount System
1.2M Antennas

Baird is the world's leading antenna mounting systems manufacturer. Baird designs, tests and manufactures mounting systems for every antenna offered in the world today. In the most demanding situations and conditions on earth, Baird is ***Underneath It All.***

Superior Quality

- 100% hot dipped galvanized finish
- Zinc plated hardware
- Design tested for survivability
- State-of-the-art manufacturing
- Heavy gauge steel fabrication

Ultimate Flexibility

- Mast sizes to accommodate ALL major antenna brands
- Mast heights up to 10' (3.2M) for wireless and other applications
- Custom installations? Baird can meet your needs with more than 20 years of Industry experience

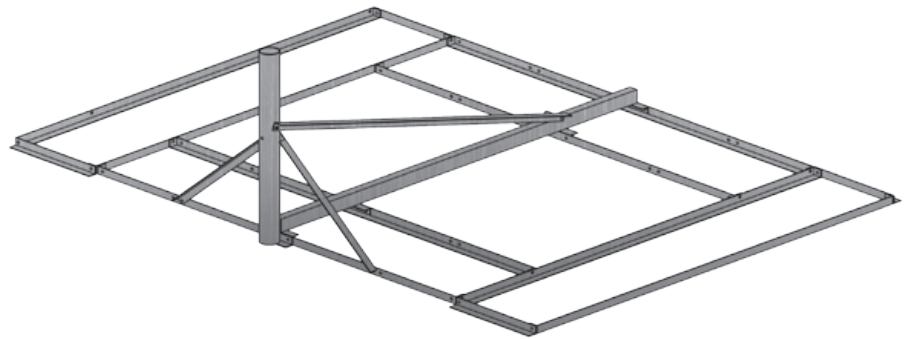
Product Support

- Engineering and installation support
- Site specific ballast calculations
- Same day shipping of in-stock items
- Extensive inventory

Warranty

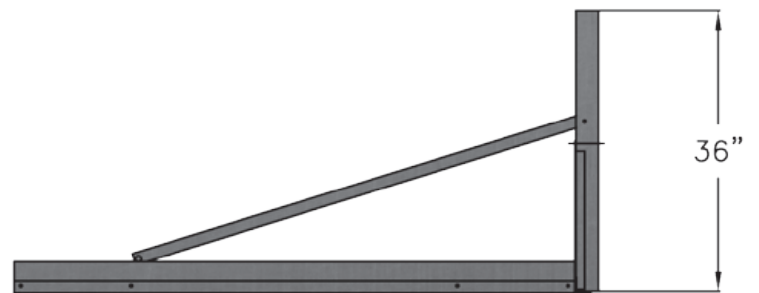
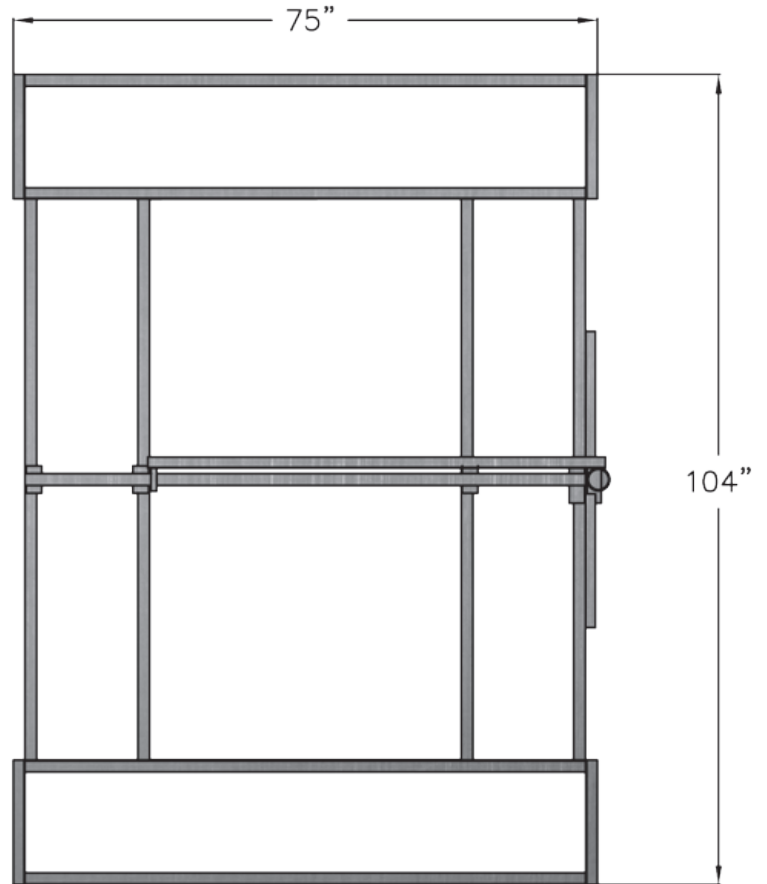
- Your mount is backed by Baird's industry leading...**10 year warranty!**

The B4-6x8 is a version of the B4 mount with 4 ballast trays to provide additional load distribution. The B4-6x8 is used with all major brands of satellite antennas up to 1.2M, wireless products and other applications.



PART NUMBER	DESCRIPTION
B468-237x3-R	Non-Pen Mount, 6.25' x 8.67' Footprint, 2.37" O.D. x 3' Mast w/ Rubber Roof Pad
B468-288x3-R	Non-Pen Mount, 6.25' x 8.67' Footprint, 2.88" O.D. x 3' Mast w/ Rubber Roof Pad
B468-300x3-R	Non-Pen Mount, 6.25' x 8.67' Footprint, 3.00" O.D. x 3' Mast w/ Rubber Roof Pad

PRODUCT INFORMATION	
Application:	Roof-Top
Type:	Non-Penetrating, Flat Surface
Uses:	Satellite up to 1.2M Wireless Other Applications
Footprint:	6.25' x 8.67' = 54.2 sq ft
Finish:	Hot Dip Galvanized
Satellite Mast Sizes:	2.37" O.D. to 3.00" O.D. 3.0' Height
Wireless / Other Application Mast Sizes:	1.66" O.D. to 3.50" O.D. 3.0' to 10' Height
Ballast:	Up to 32 Standard Concrete Blocks (8" x 8" x 16")
Shipping:	Freight Bulk Shipments - Up to 20 Units per Pallet
Warranty:	10 Year Product Warranty



Request A Quote