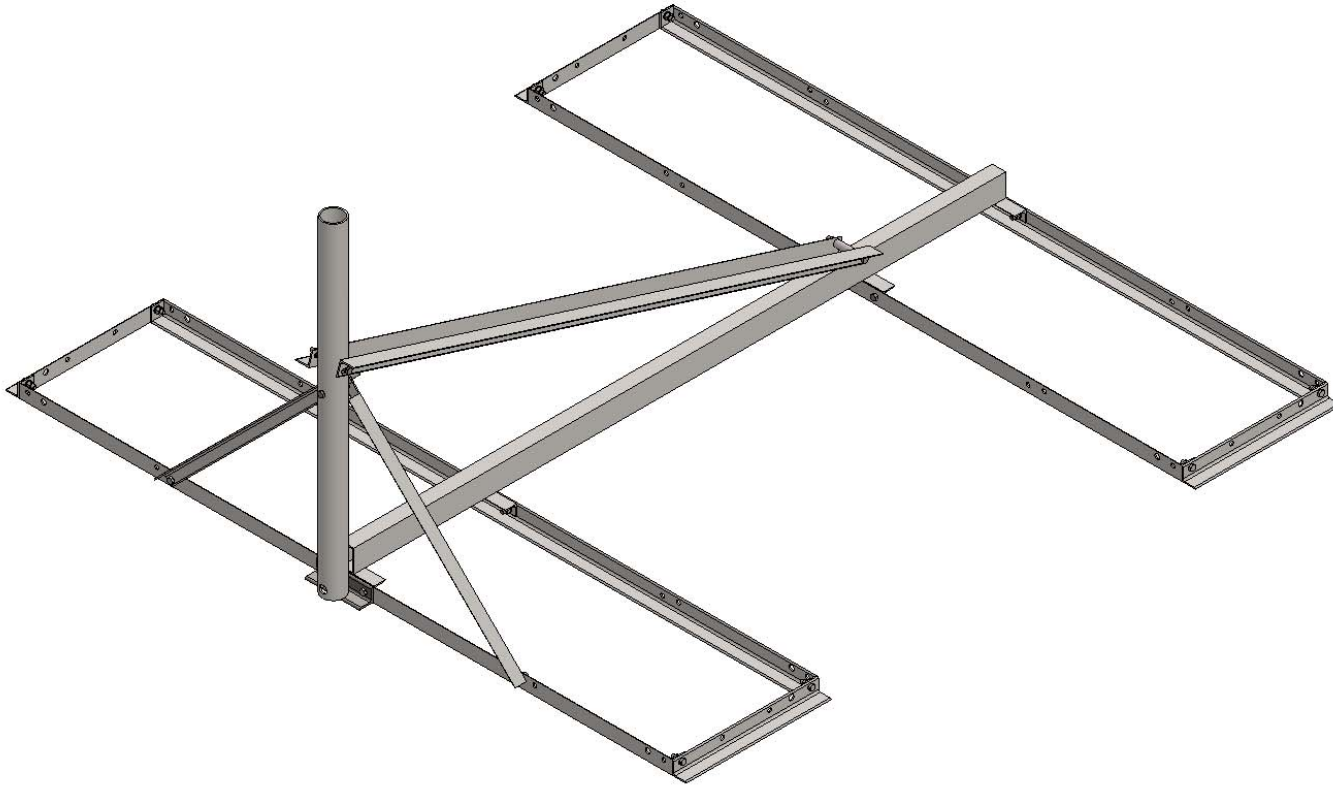


PART NO.	MAST DIAMETER	WEIGHT
B46DRB-237X3	2.37"OD [60.3mm]	93 lbs. [42.2kg]
B46DRB-288X3	2.88"OD [73mm]	94 lbs. [42.6kg]
B46DRB-300X3	3"OD [76.2mm]	94 lbs. [42.6kg]



**PROPRIETARY AND CONFIDENTIAL**  
 THE INFORMATION CONTAINED IN THIS DRAWING IS THE SOLE PROPERTY OF BAIRD SUPPORTING SYSTEMS. ANY REPRODUCTION IN PART OR AS A WHOLE WITHOUT THE WRITTEN PERMISSION OF BAIRD SUPPORTING SYSTEMS IS PROHIBITED.

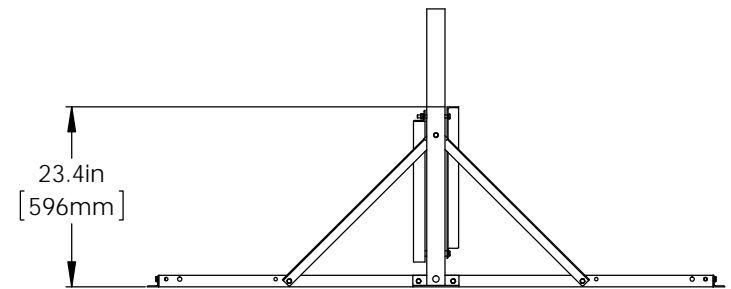
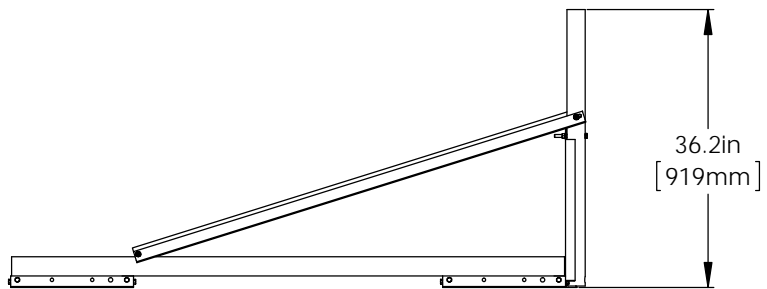
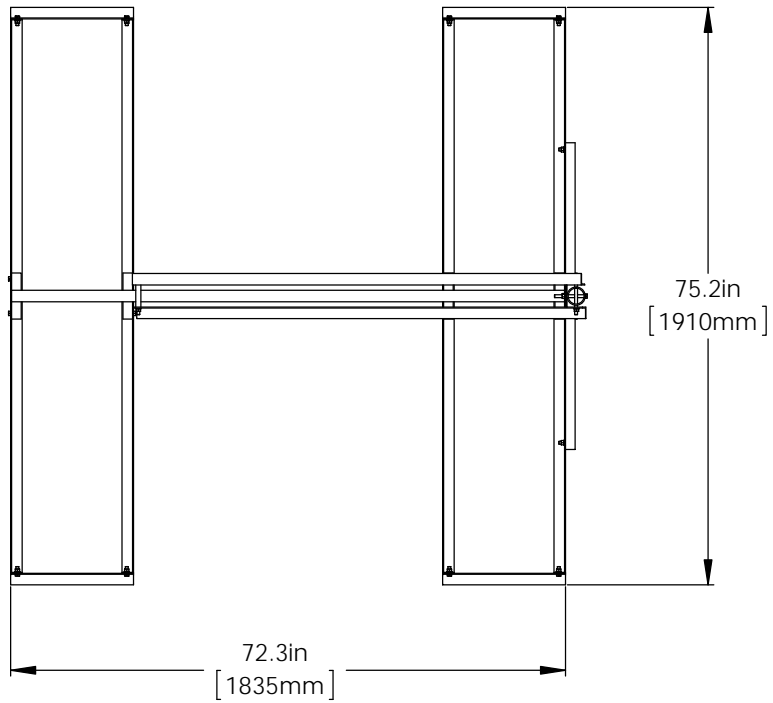


UNLESS OTHERWISE SPECIFIED:  
 DIMENSIONS ARE IN INCHES  
 TOLERANCES:  
 FRACTIONAL ±  
 ANGULAR: MACH ± BEND ±  
 TWO PLACE DECIMAL ±  
 THREE PLACE DECIMAL ±

DO NOT SCALE DRAWING

TITLE:  
 B4-6X6DRB MOUNT WITH 3' MAST

DRAWN BY JK	DATE 06/14/13	
MATERIAL STEEL	FINISH HDG	
DWG. PURPOSE CUSTOMER	SHEET 1OF2	SCALE 1:15
PART. NO. SEE TABLE		
DWG. NO. B46DRB-(000)X3		



**PROPRIETARY AND CONFIDENTIAL**  
THE INFORMATION CONTAINED IN THIS DRAWING IS THE SOLE PROPERTY OF BAIRD SUPPORTING SYSTEMS. ANY REPRODUCTION IN PART OR AS A WHOLE WITHOUT THE WRITTEN PERMISSION OF BAIRD SUPPORTING SYSTEMS IS PROHIBITED.



WWW.BAIRD MOUNTS.COM

UNLESS OTHERWISE SPECIFIED:  
DIMENSIONS ARE IN INCHES  
TOLERANCES:  
FRACTIONAL ±  
ANGULAR: MACH ± BEND ±  
TWO PLACE DECIMAL ±  
THREE PLACE DECIMAL ±

DO NOT SCALE DRAWING

**Request A Quote**

TITLE:  
B4-6X6DRB MOUNT WITH 3' MAST

DRAWN BY JK	DATE 06/14/13	
MATERIAL STEEL	FINISH HDG	
DWG. PURPOSE CUSTOMER	SHEET 2OF2	SCALE 1:25

PART. NO.  
SEE TABLE-SHEET 1  
DWG. NO.  
B46DRB-(000)X3